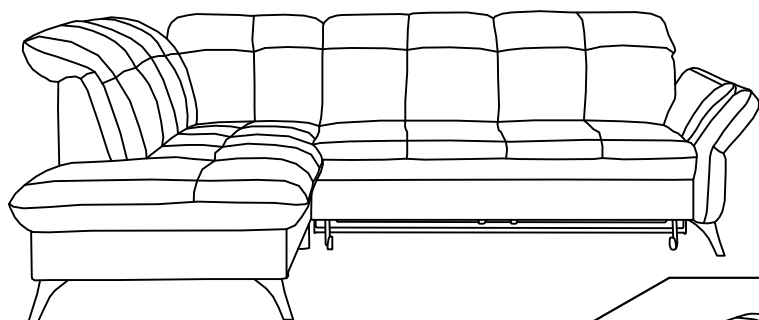
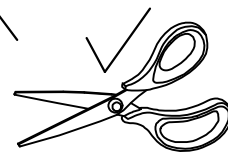
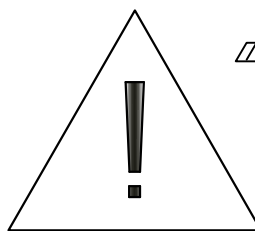
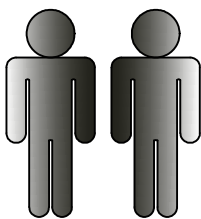
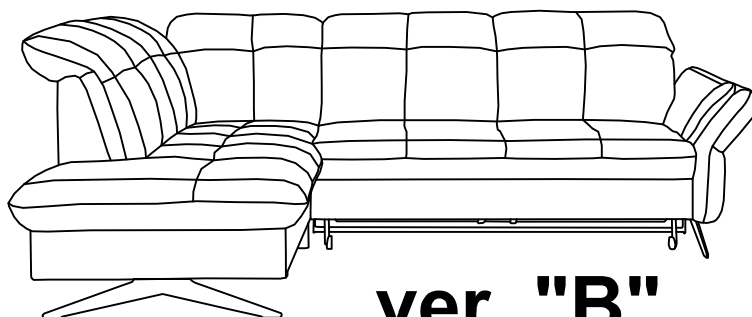


10

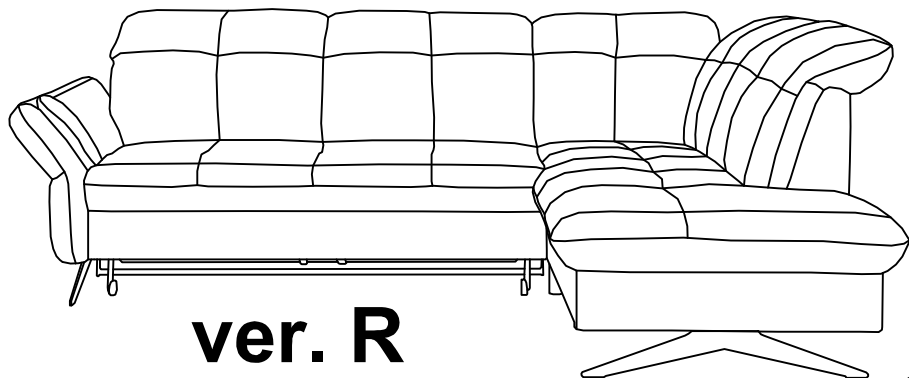
13



**ver. "A"**

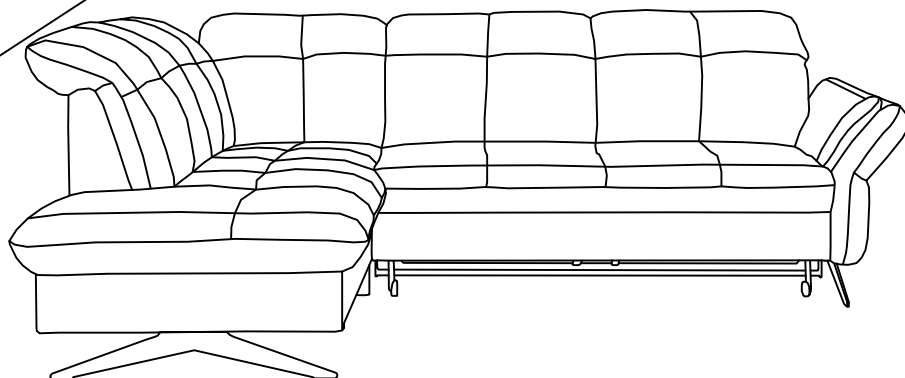


**ver. "B"**

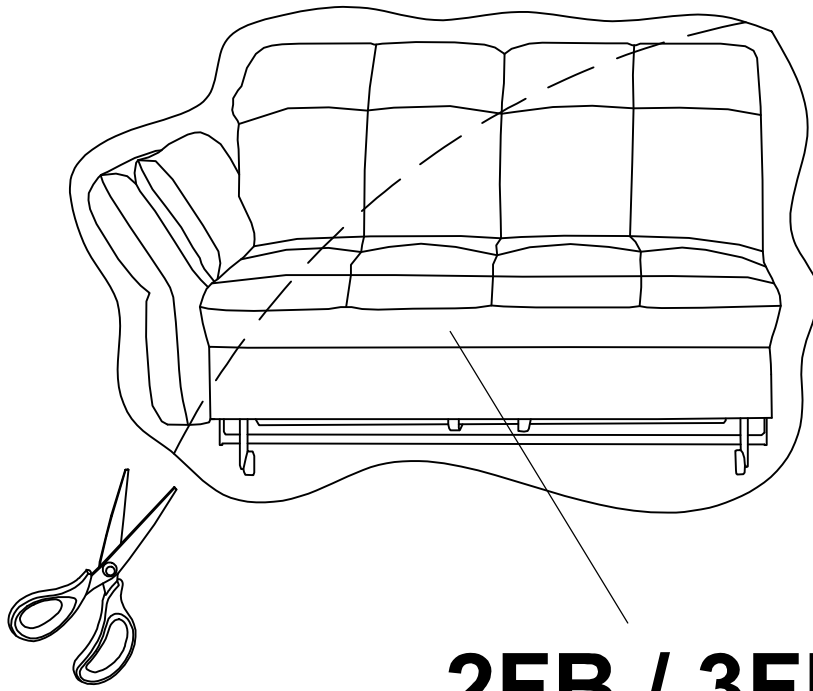
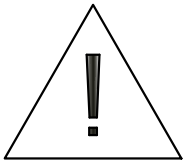


**ver. R**

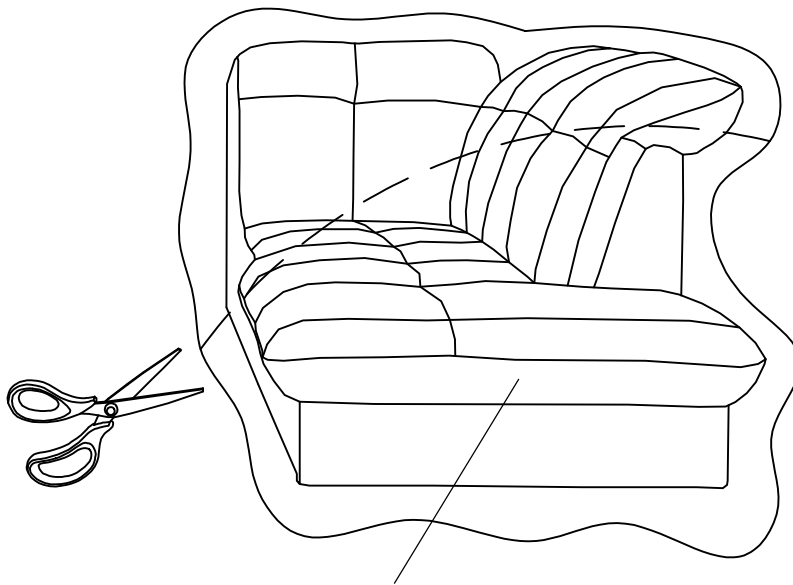
**ver. L**



**1**



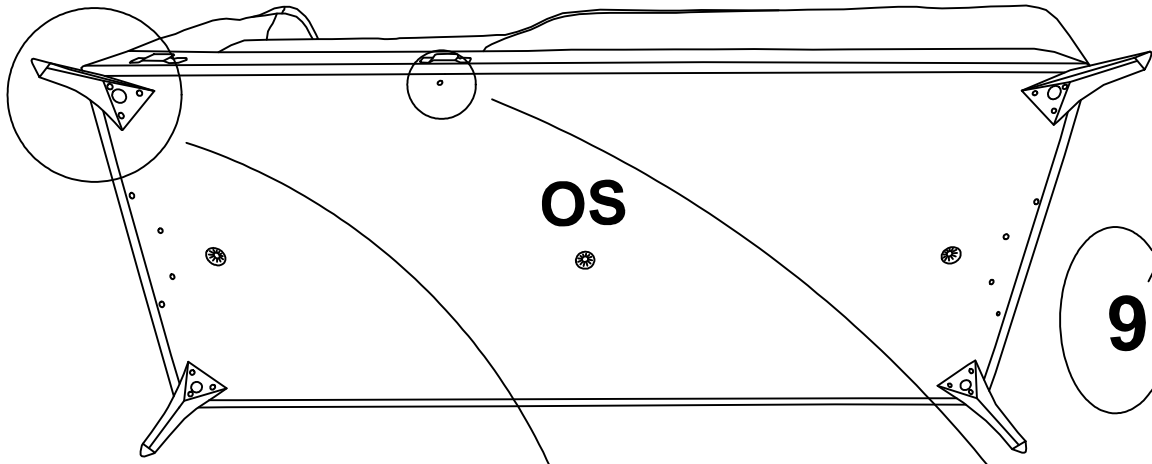
**2FB / 3FB**



**OS**

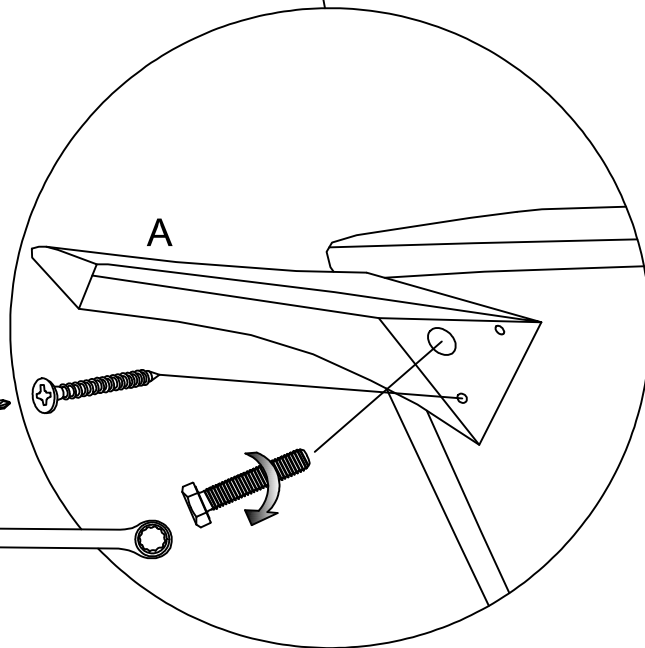
2

ver. "A"



OS

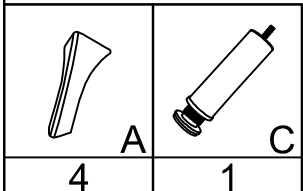
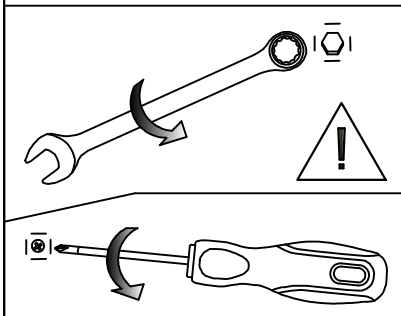
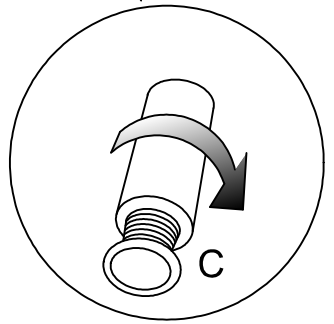
90°



A

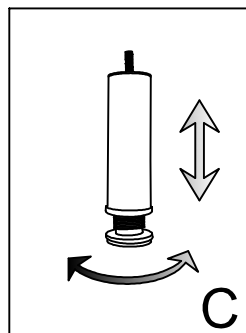
C

13



4

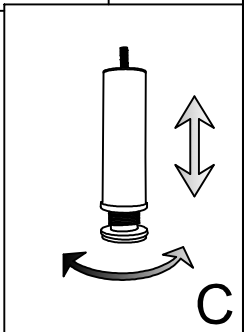
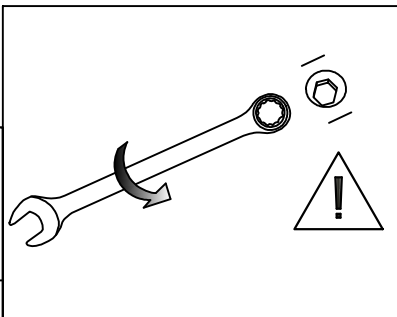
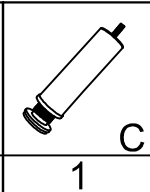
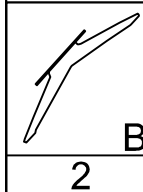
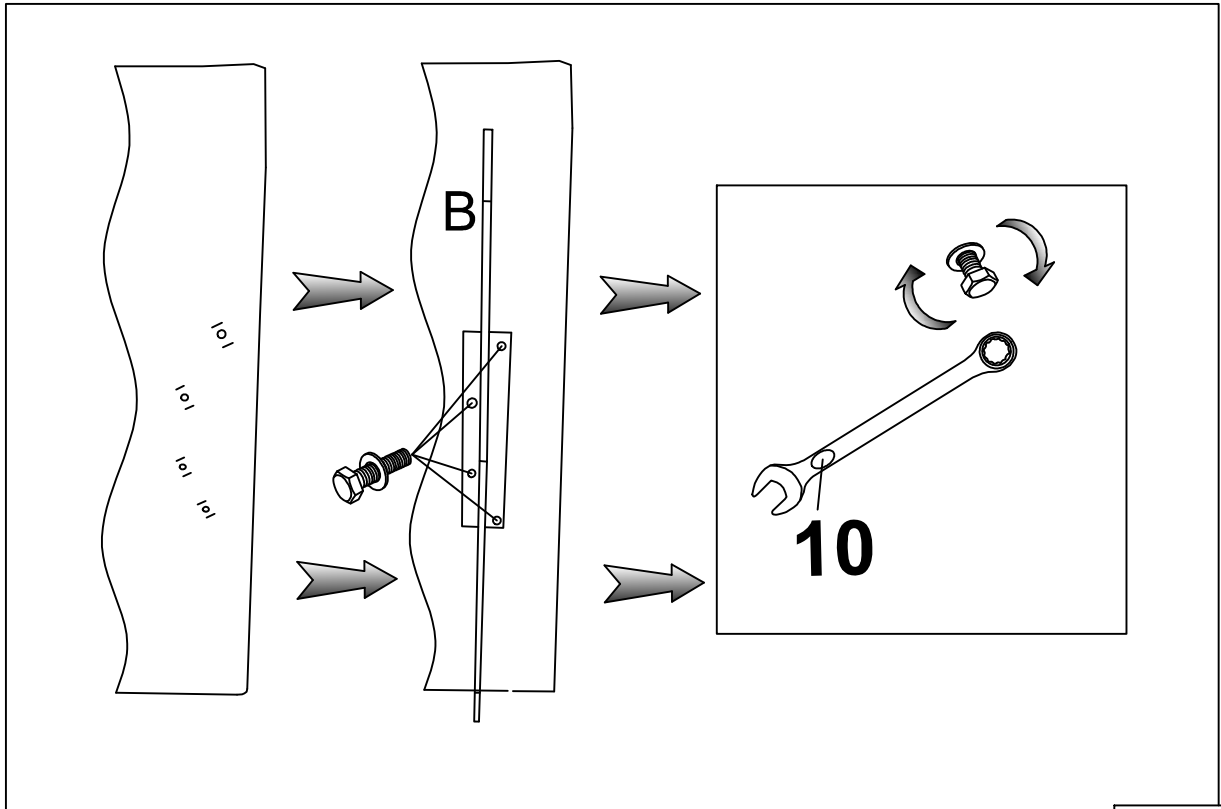
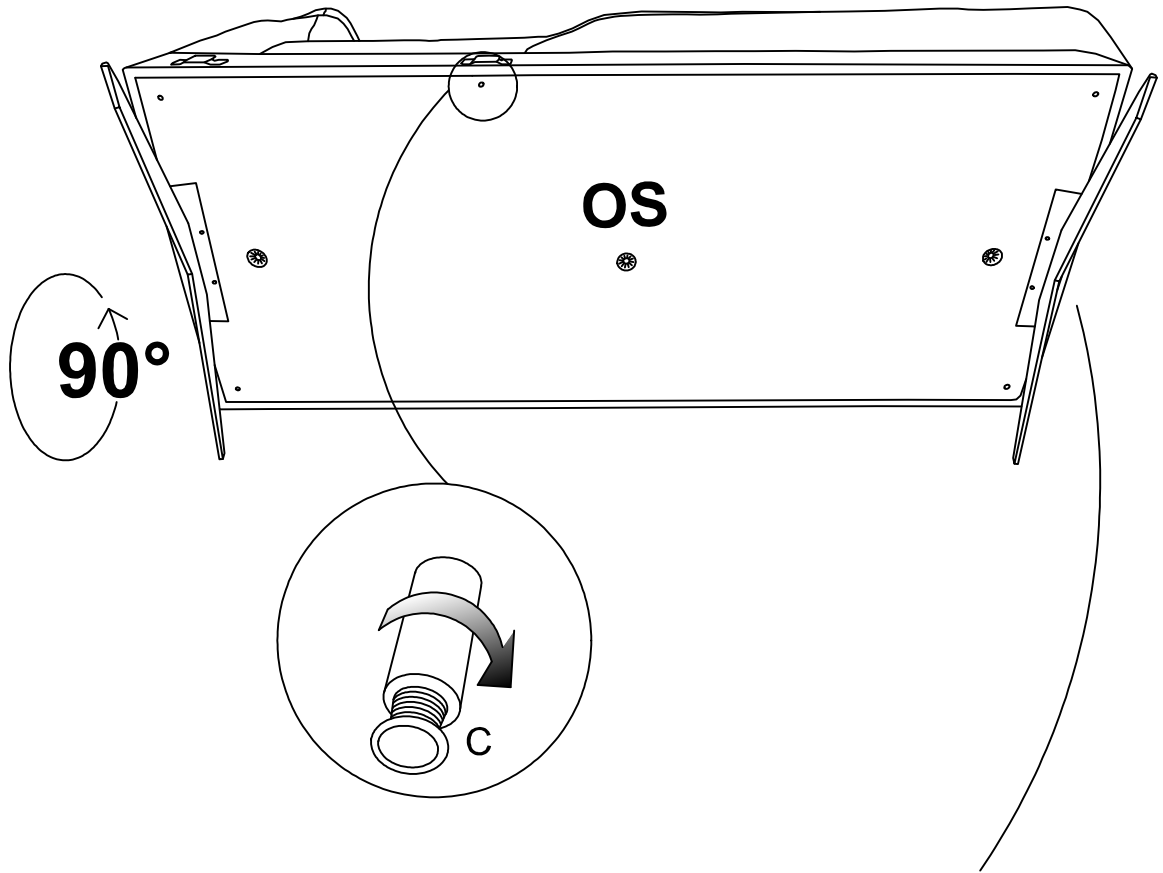
1



C

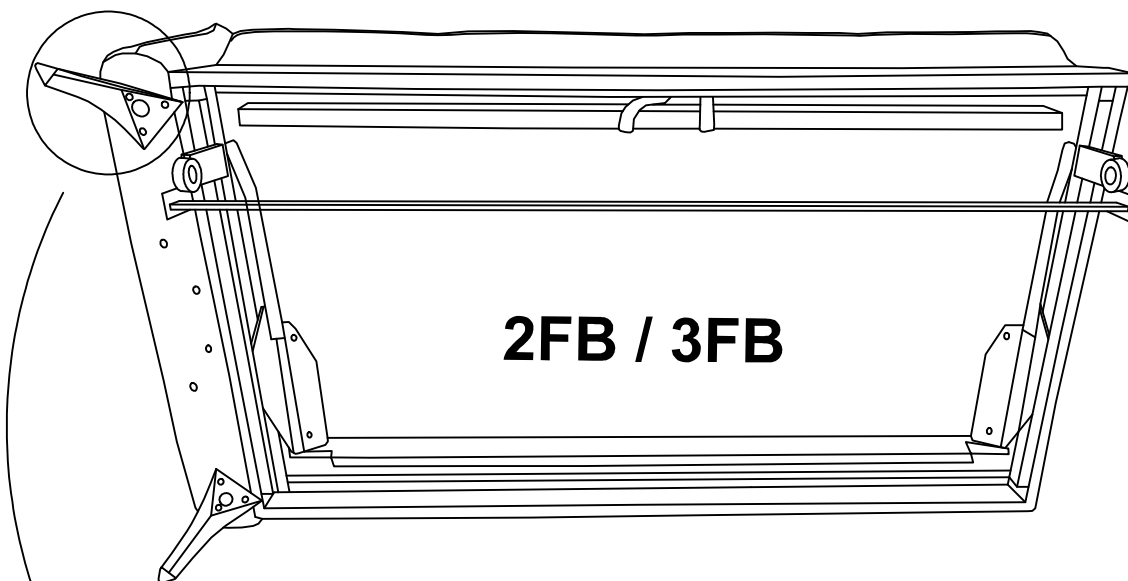
3

ver. "B"

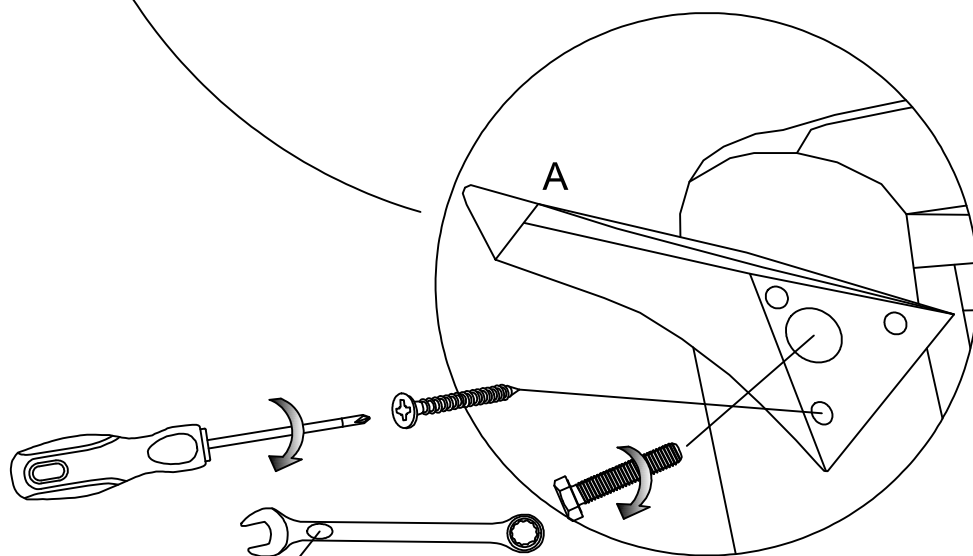


4

ver. "A"

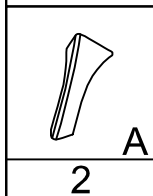
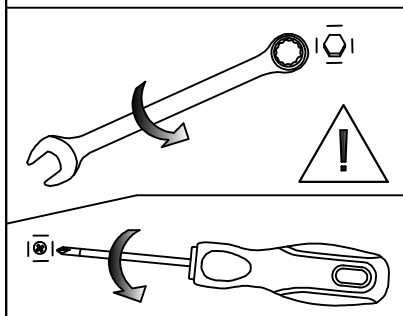


2FB / 3FB



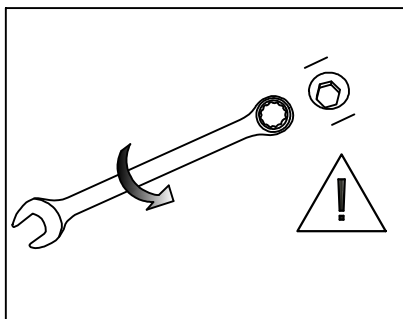
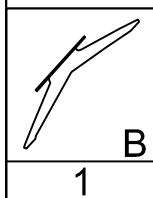
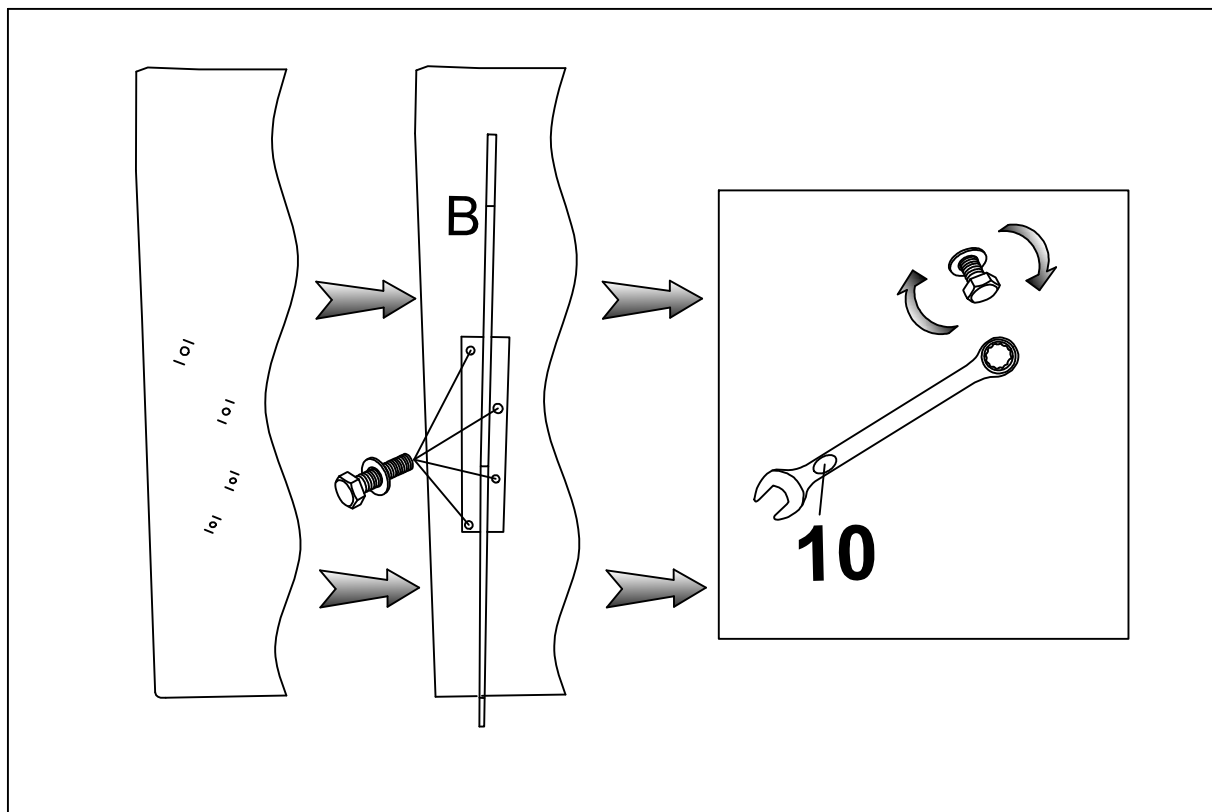
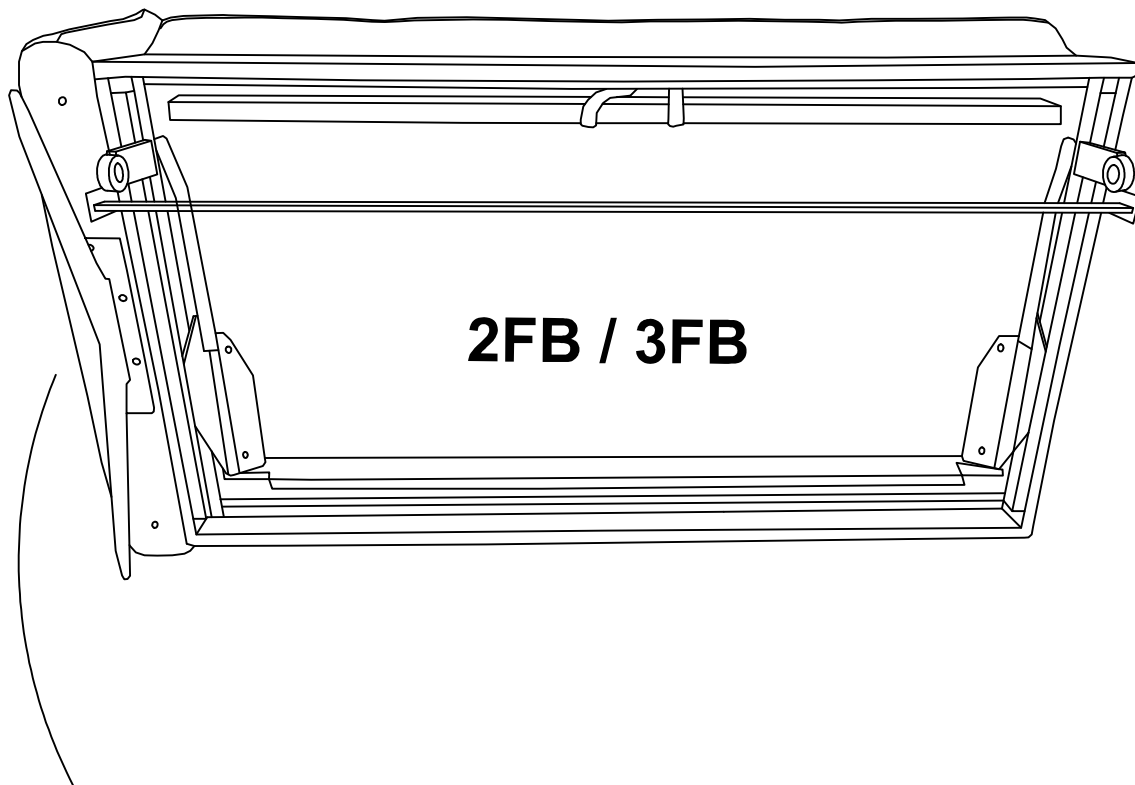
A

13



5

ver. "B"



6

