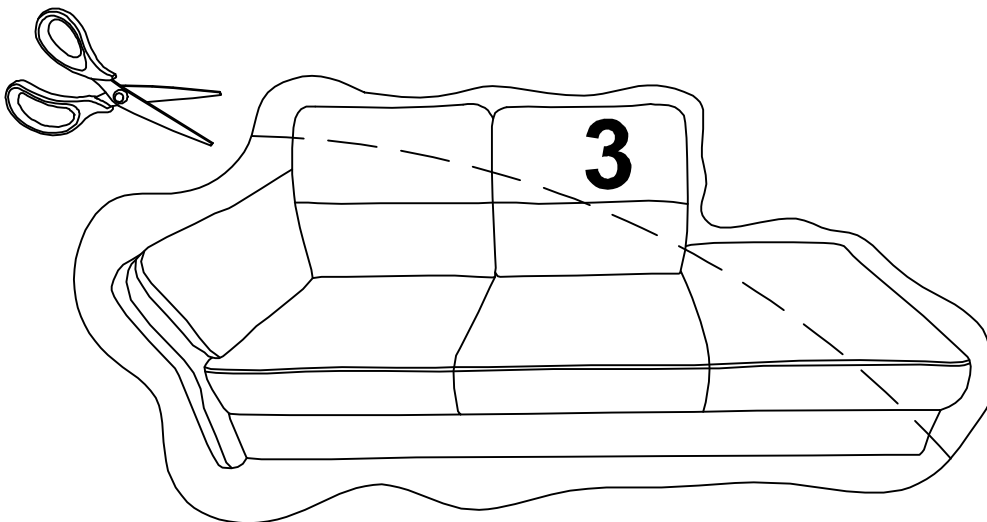
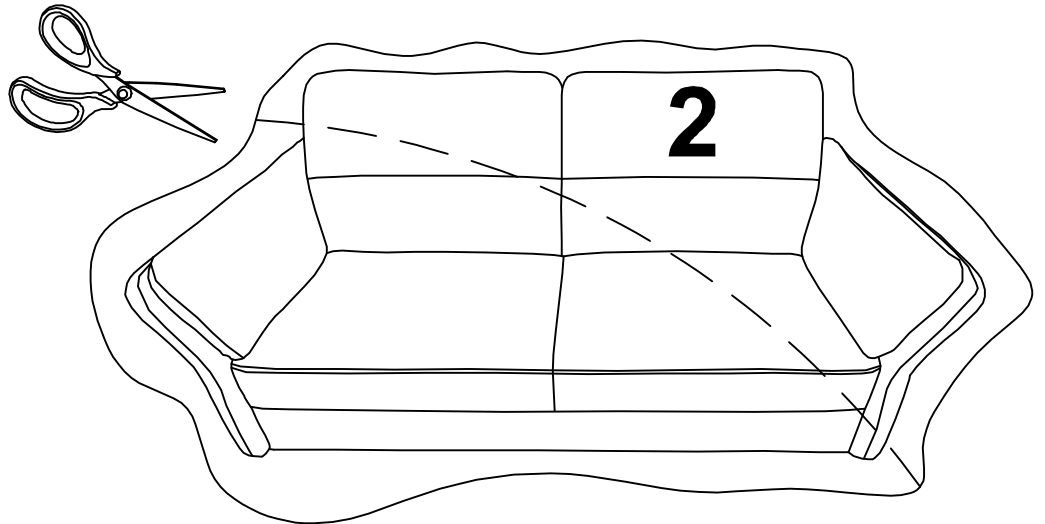
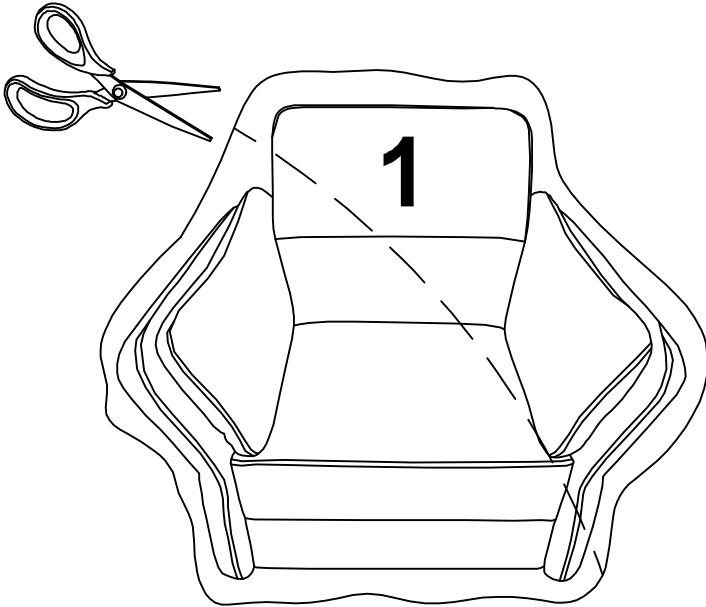
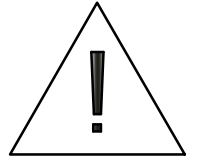
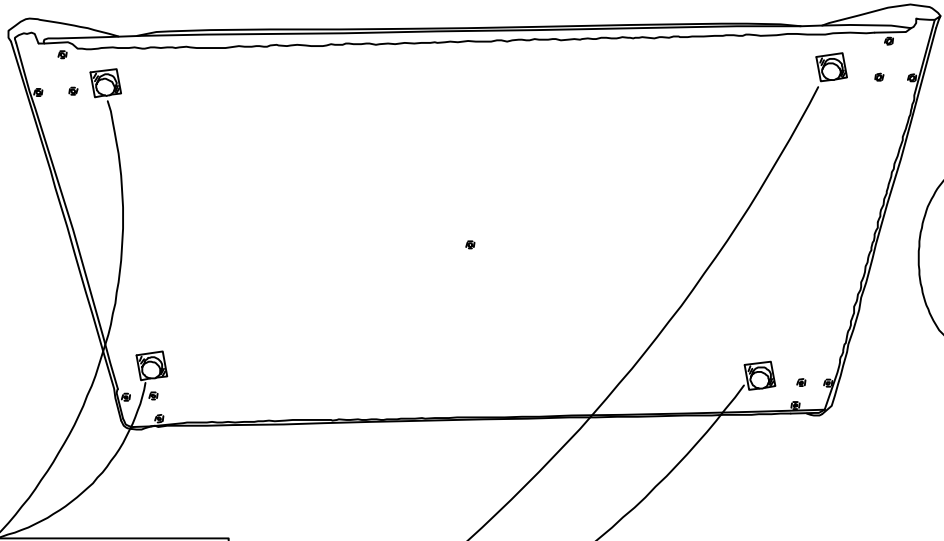
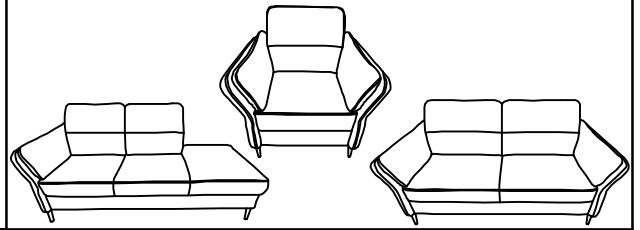
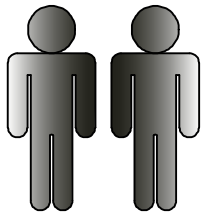
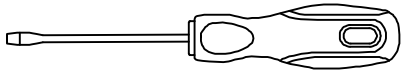
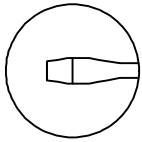
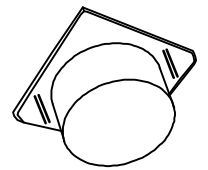
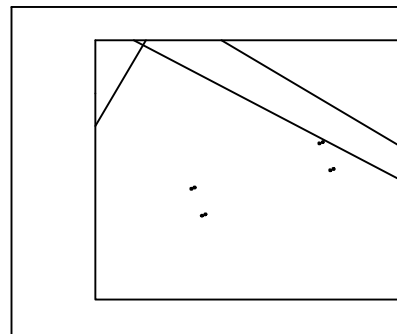
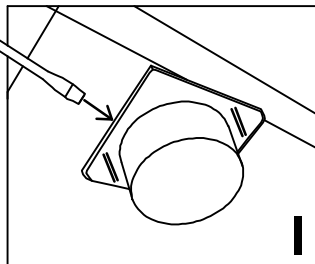
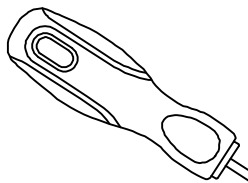
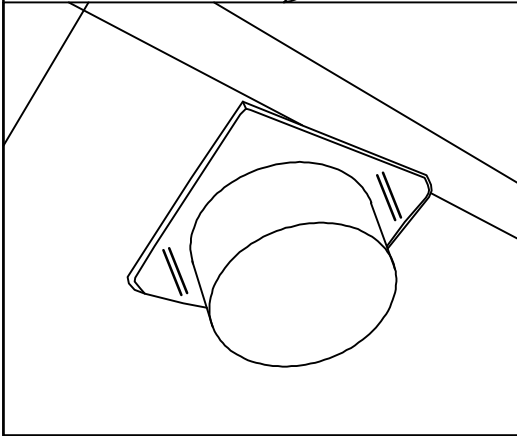


1

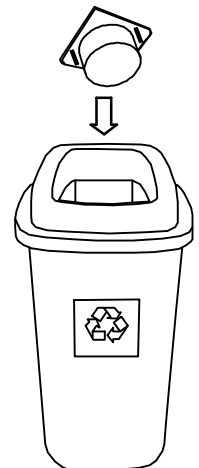
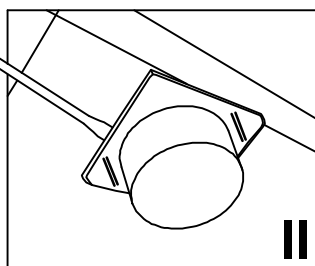
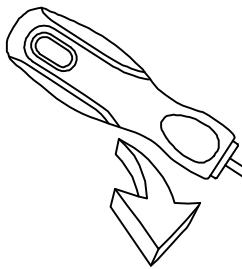




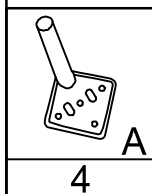
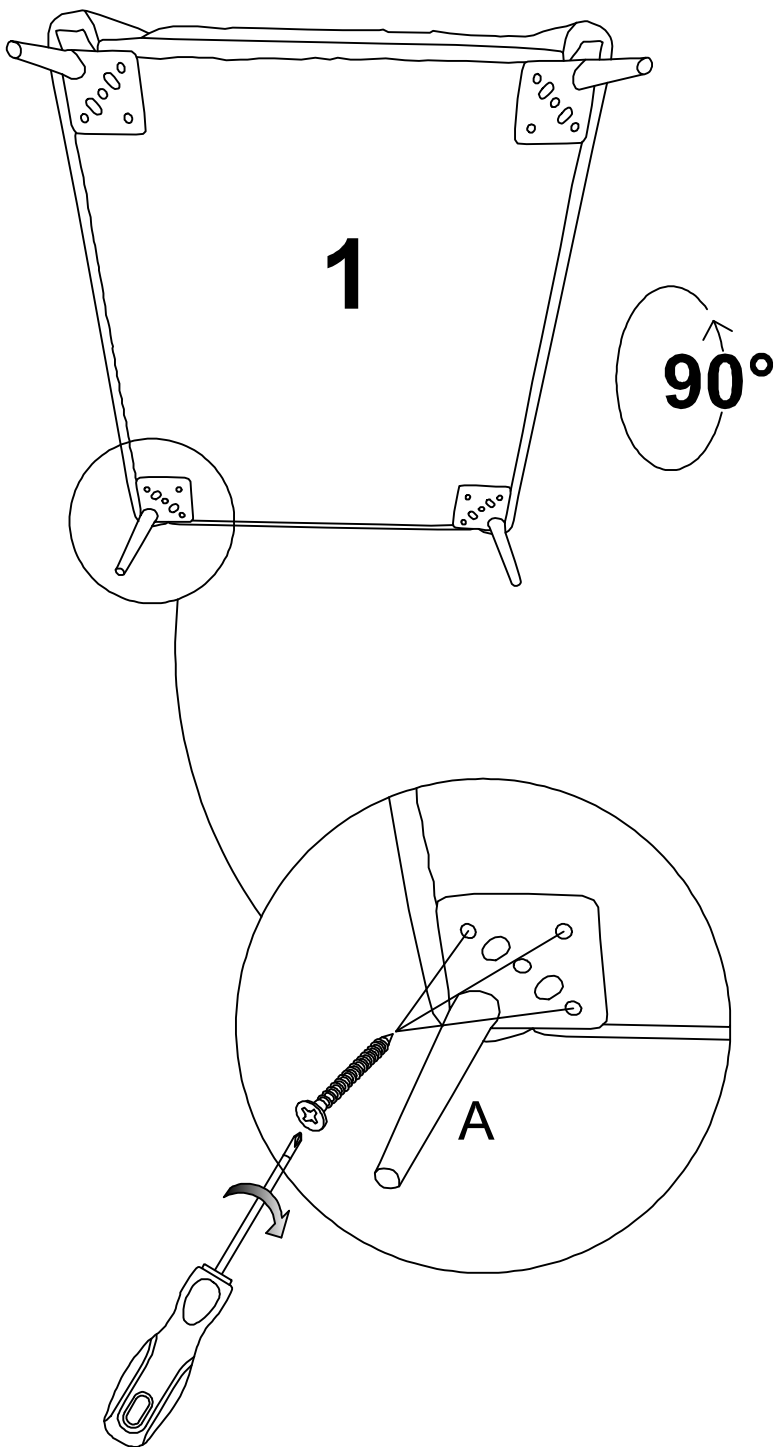
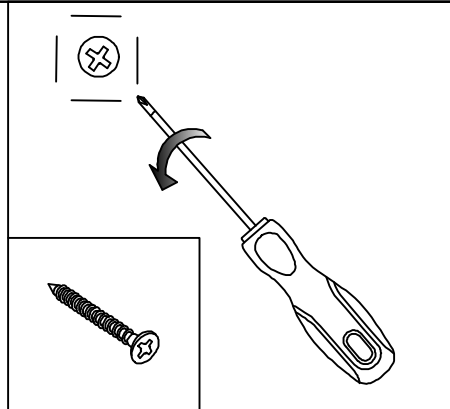
90°



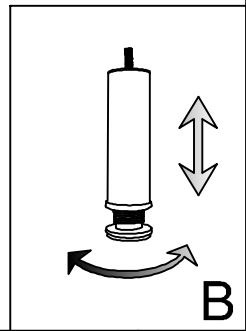
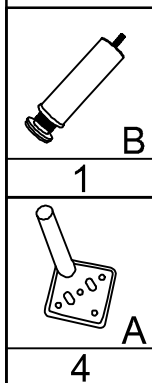
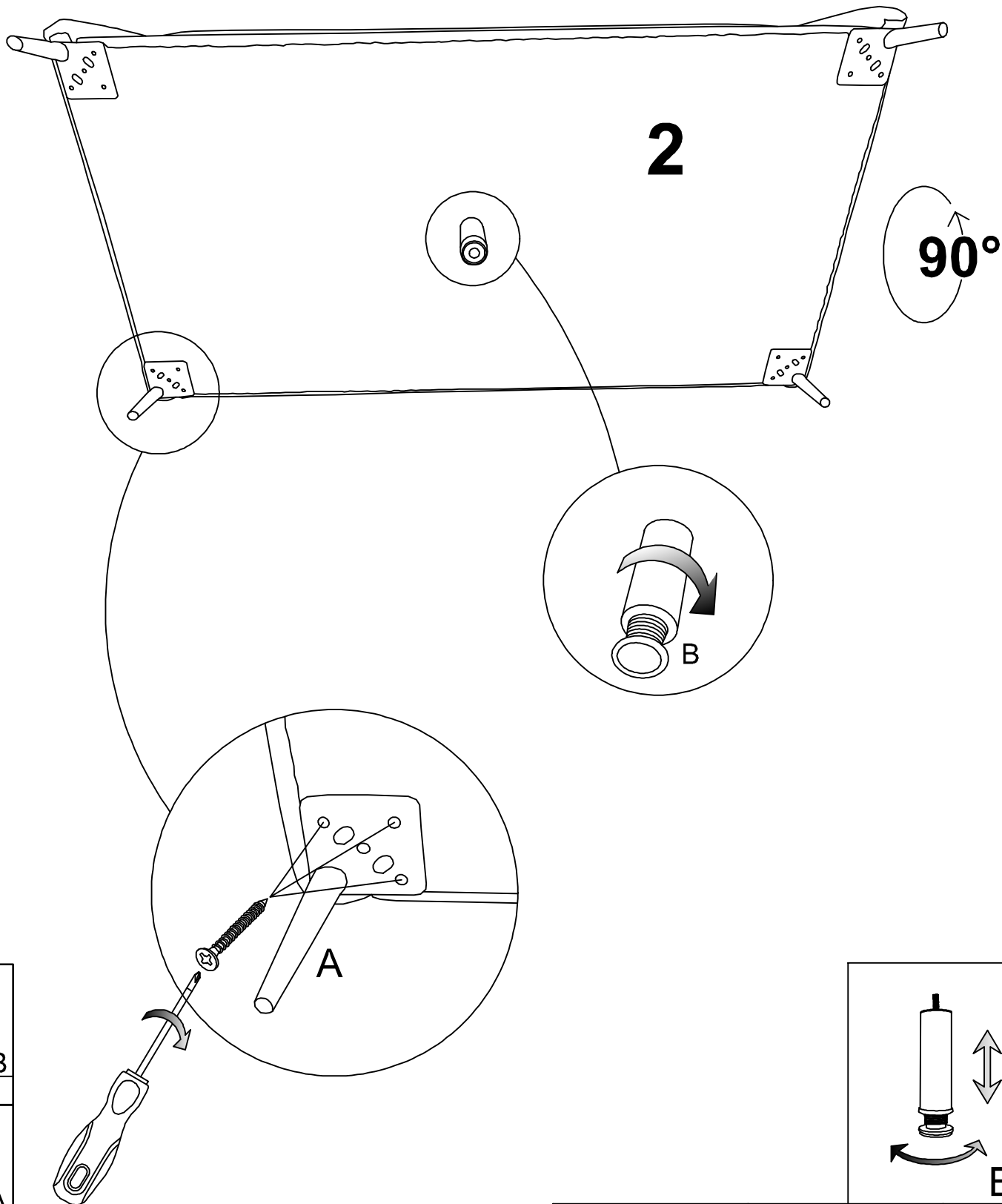
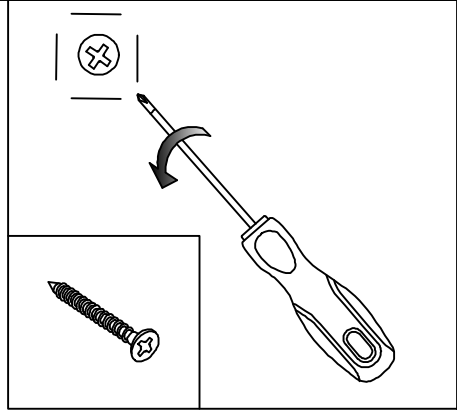
III



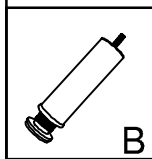
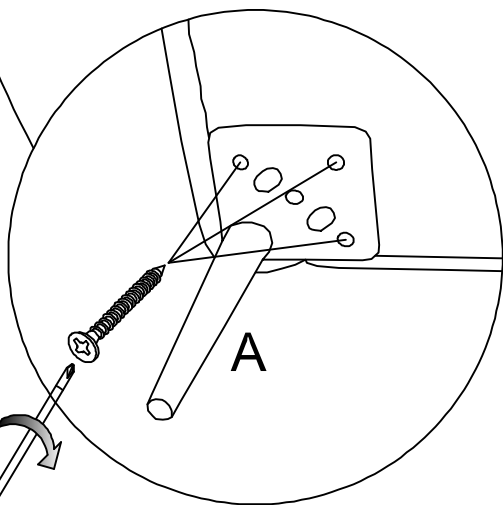
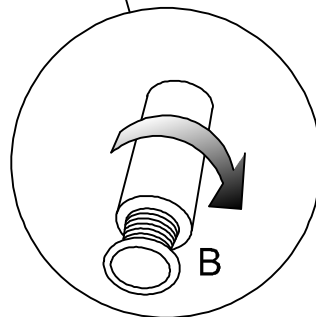
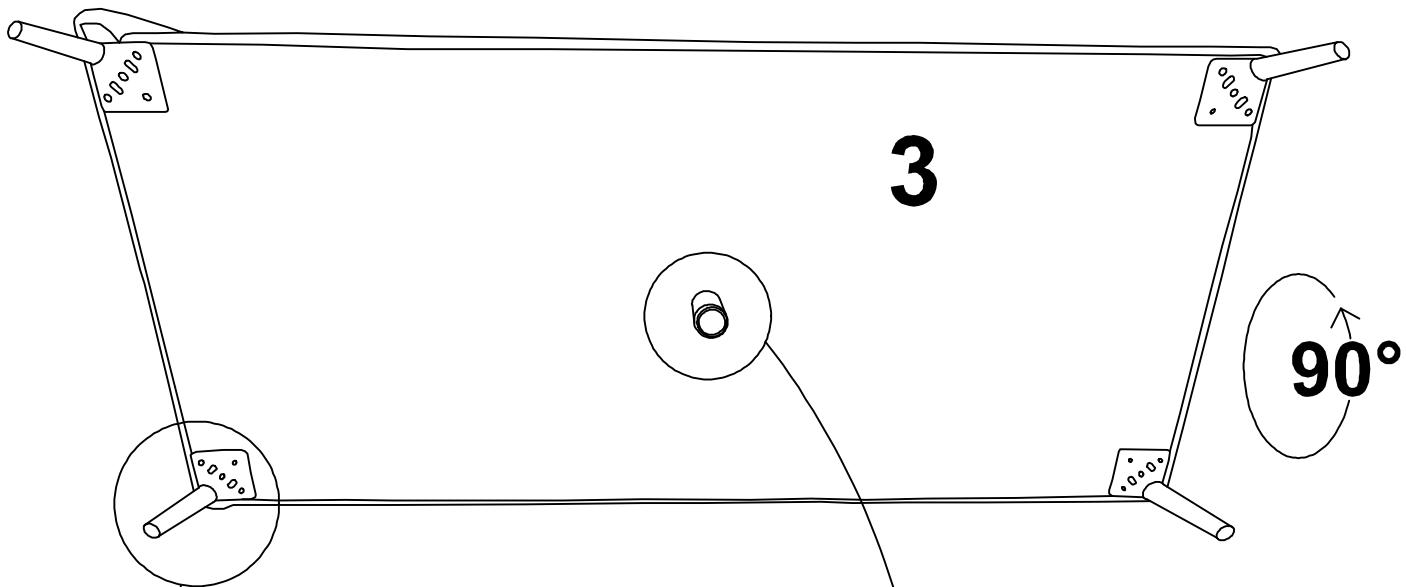
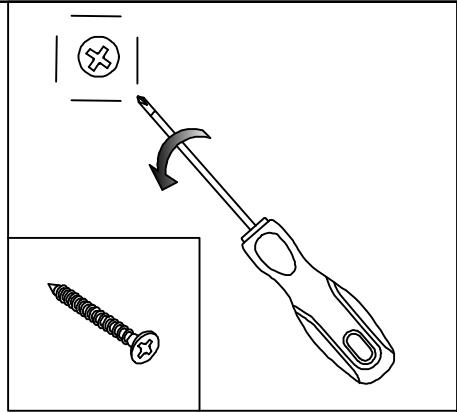
2



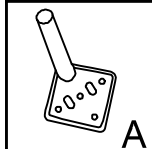
3



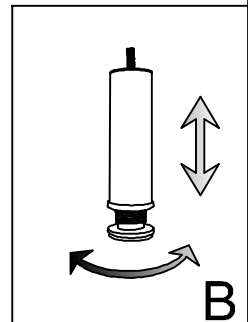
4



1



4



B

# OPTION

