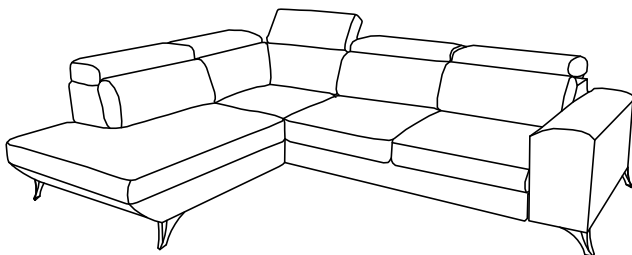
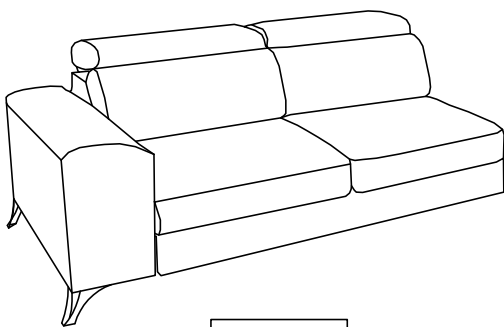
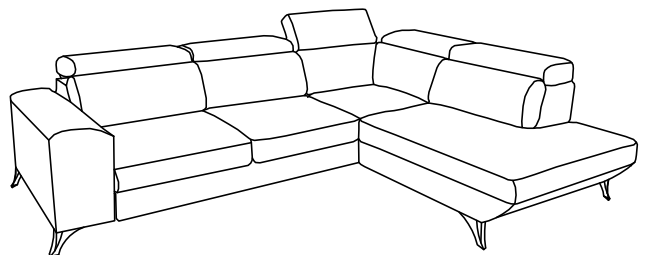


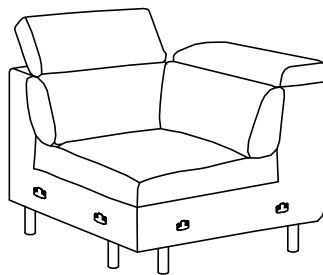
VERSION - L



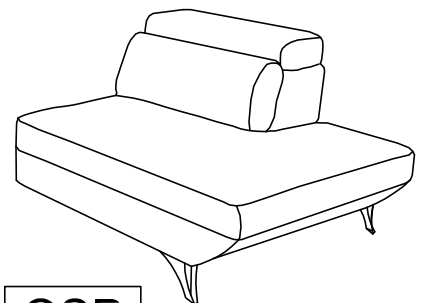
VERSION - R



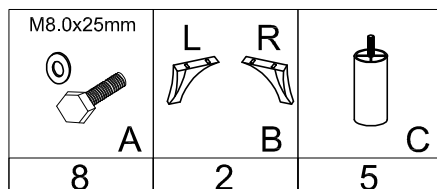
3FBL



R

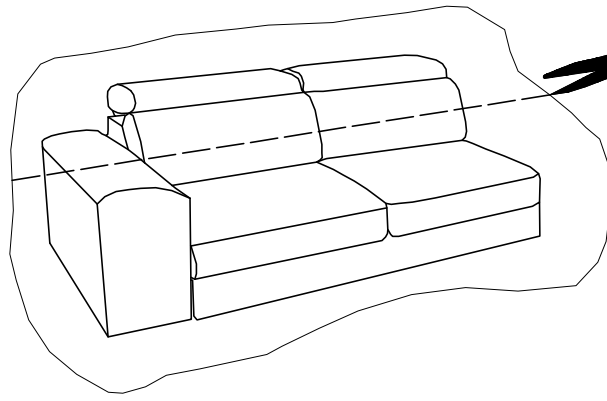


OSP



1

3FBL



2

3FBL



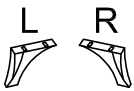
13

M8.0x25mm



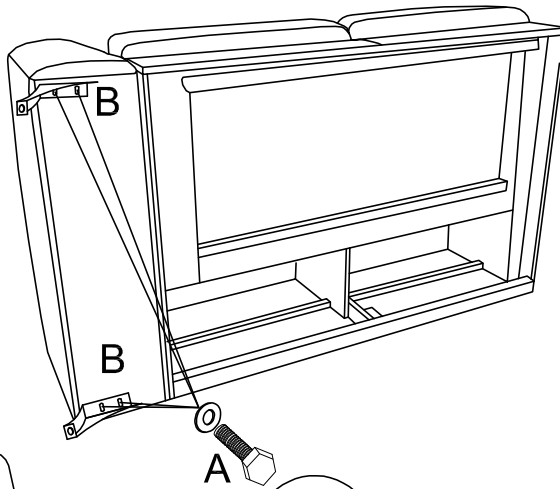
A

4

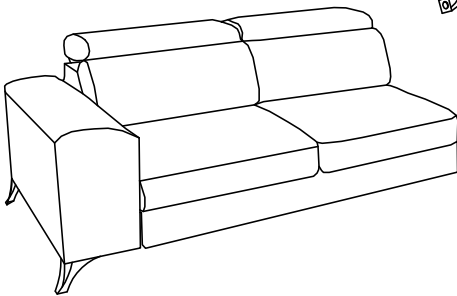


B

1



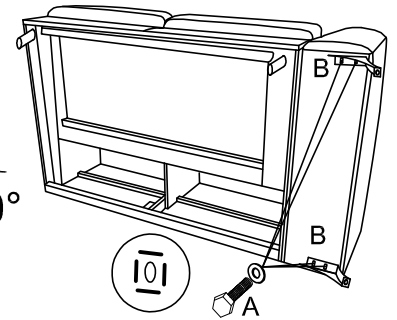
90°



3FBP

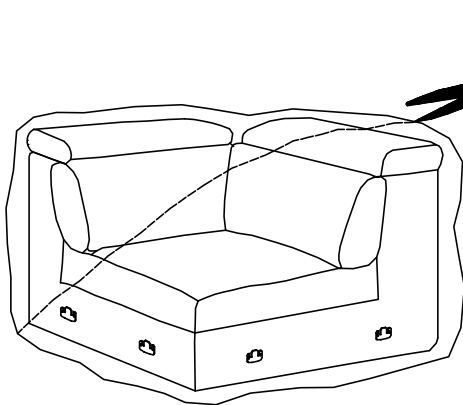


90°



3

R



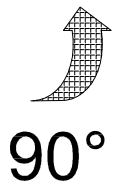
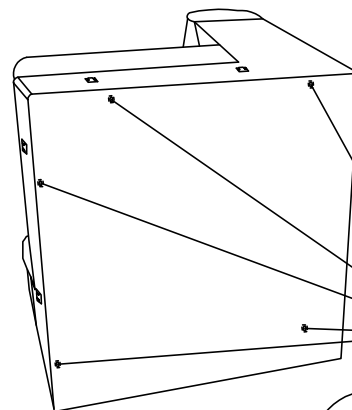
4



C

5

R

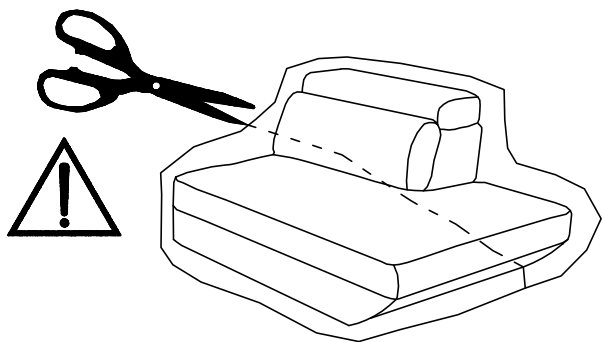


90°



5

OSP



6

OSP



M8.0x25mm



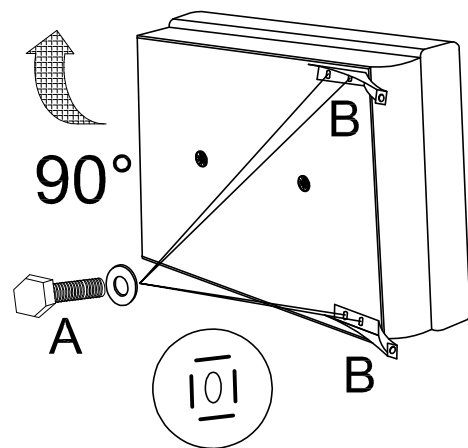
A

4

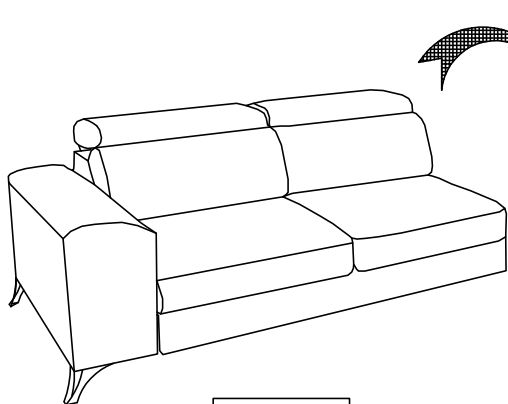


B

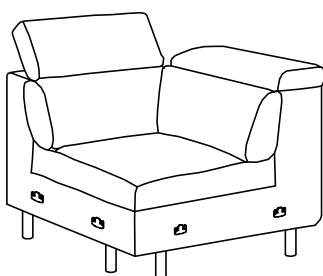
1



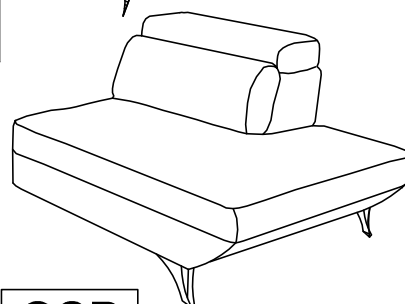
7



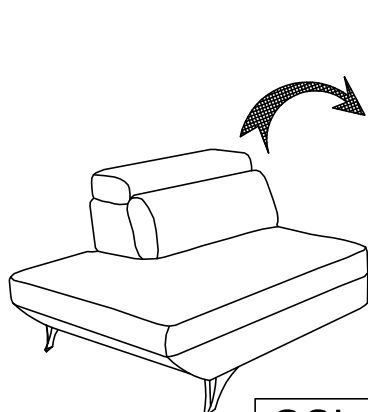
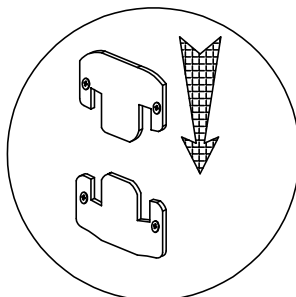
3FBL



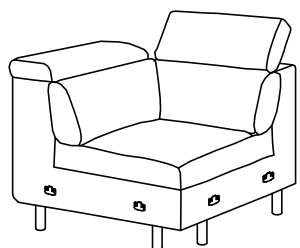
R



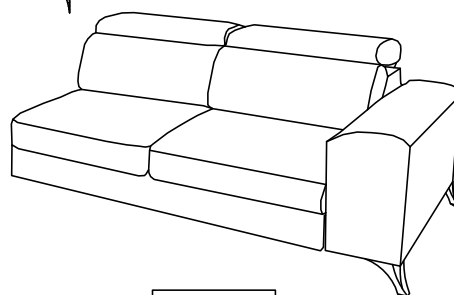
OSP



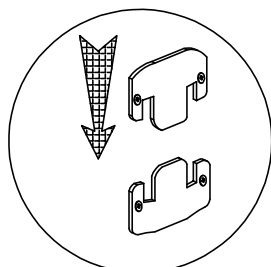
OSL



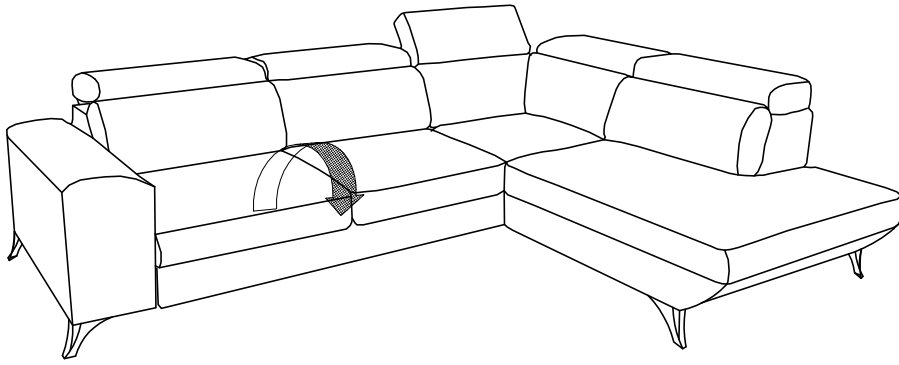
R



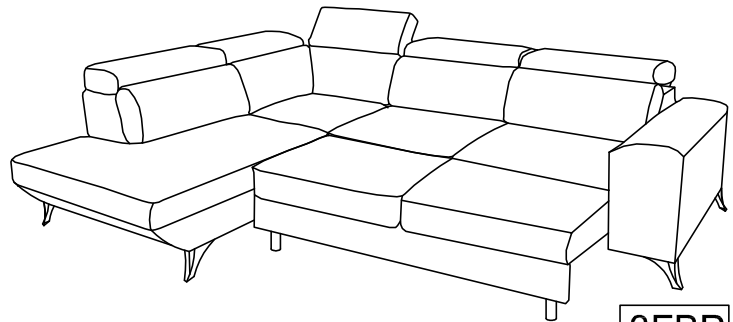
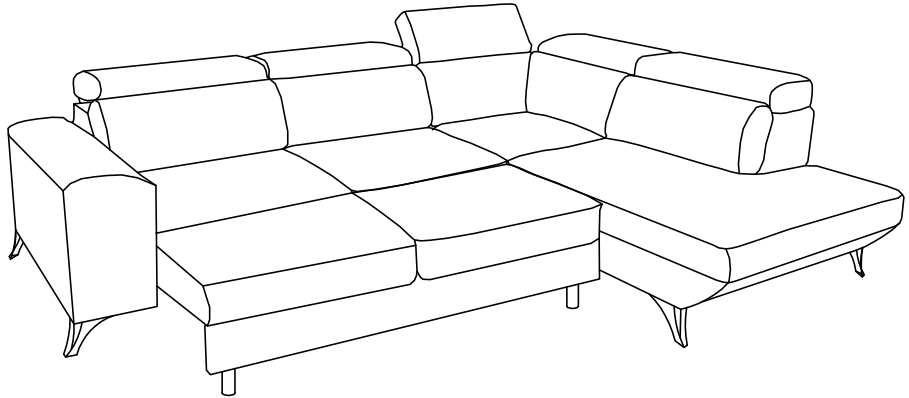
3FBP



8

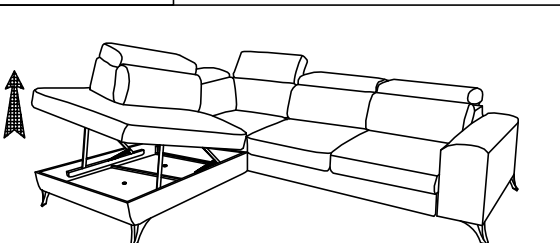
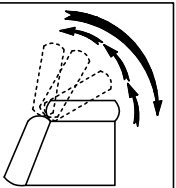


3FBL

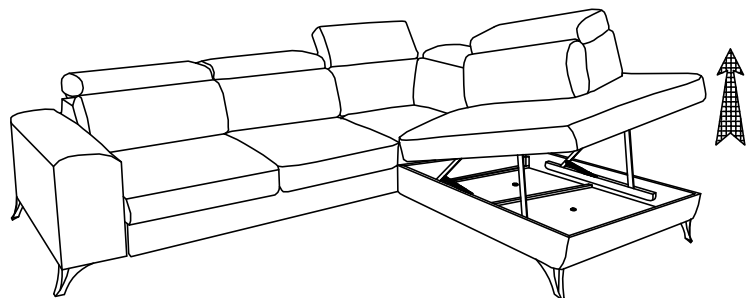


3FBP

9



OSL



OSP