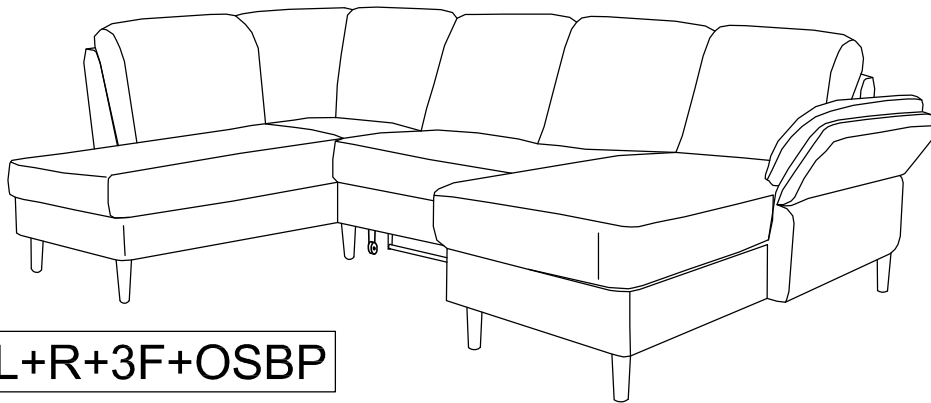
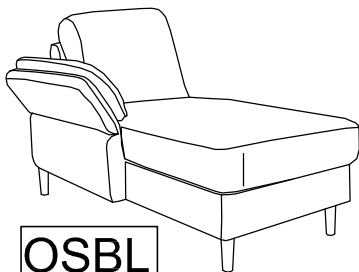


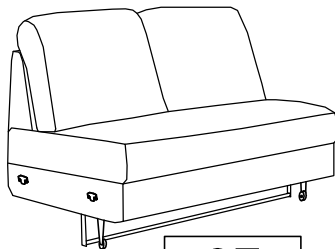
OSBL+3F+R+OSP



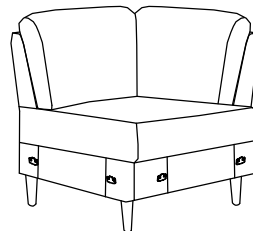
OSL+R+3F+OSBP



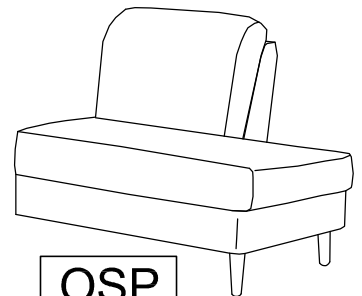
OSBL



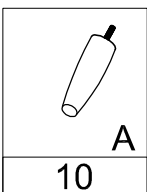
3F



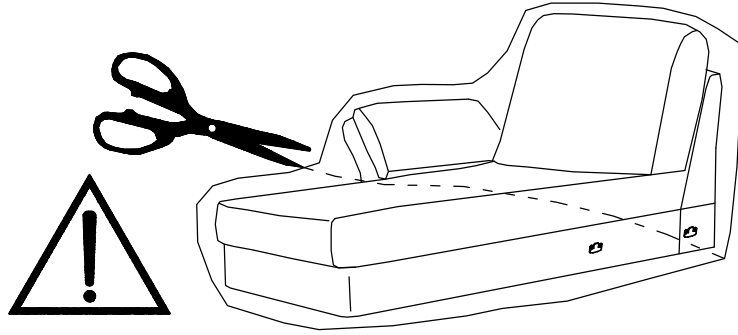
R



OSP

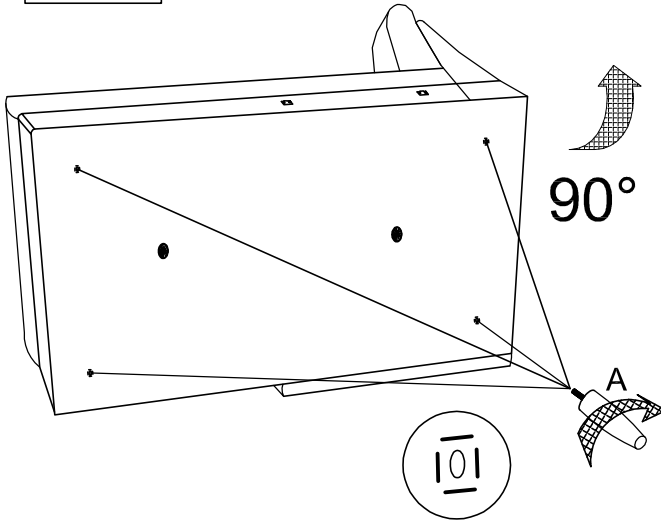
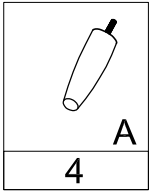


1

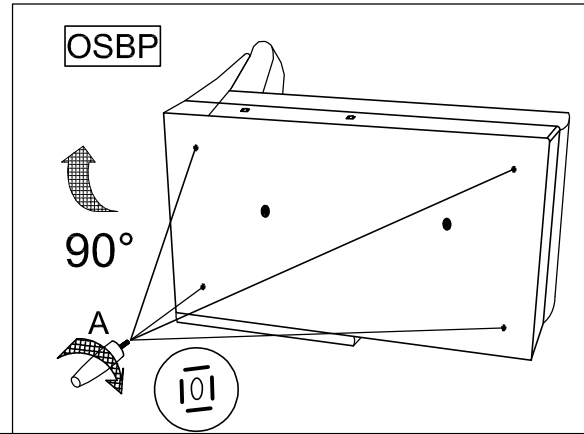


2

OSBL

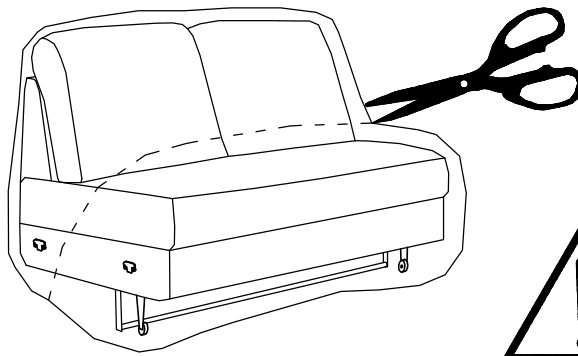


OSBP

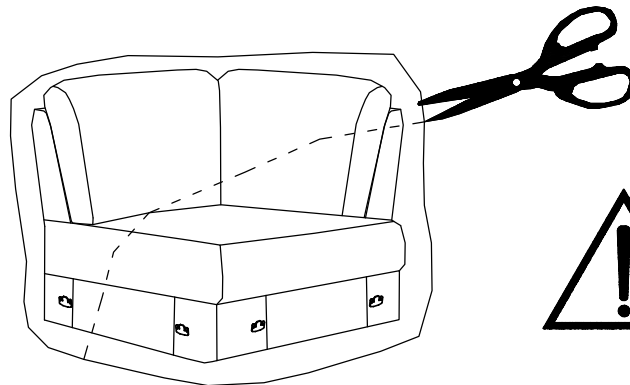


3

3F

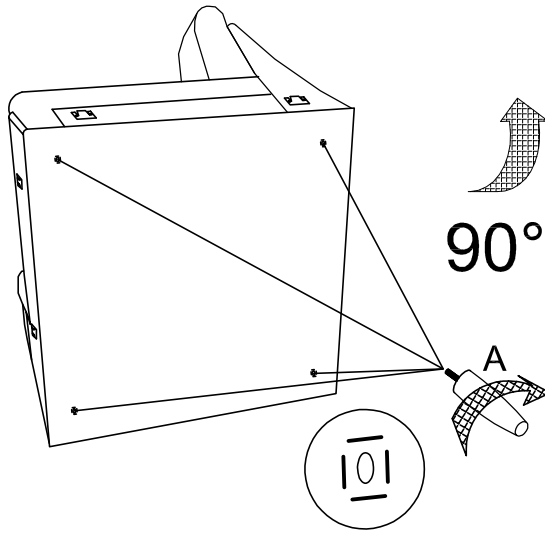
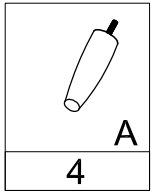


4



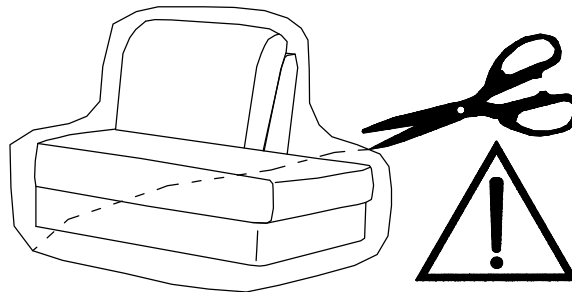
5

R



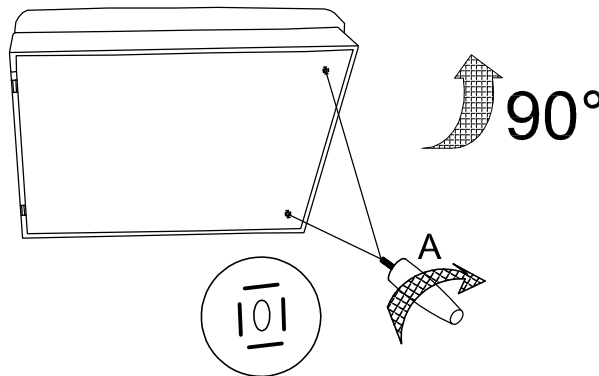
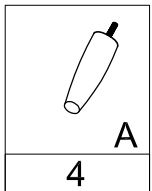
6

OSP

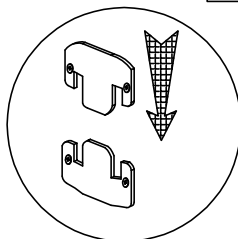
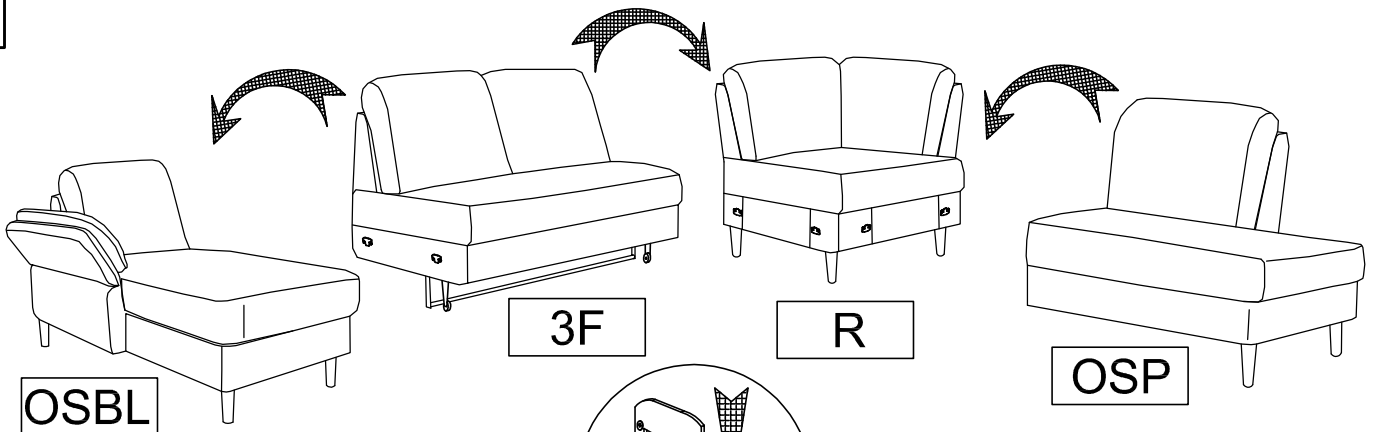


7

OSP

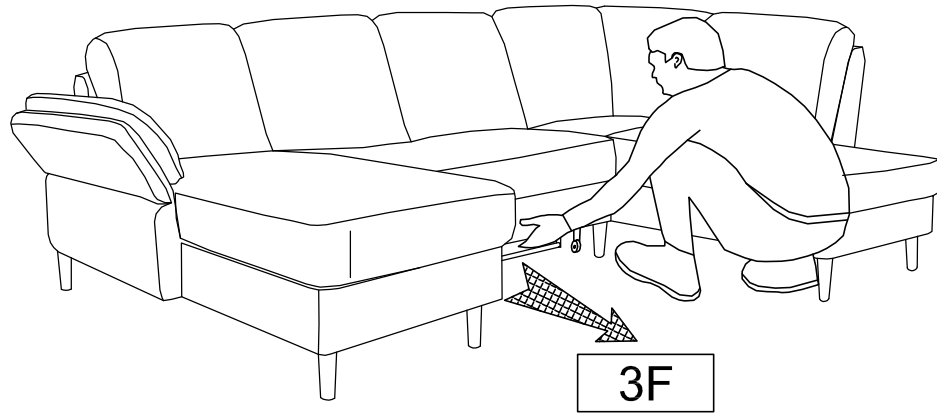


8



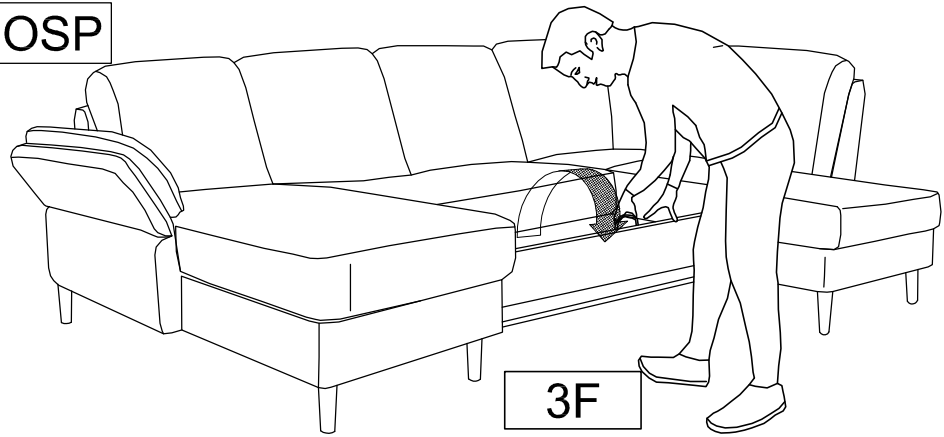
9

OSBL+3F+R+OSP



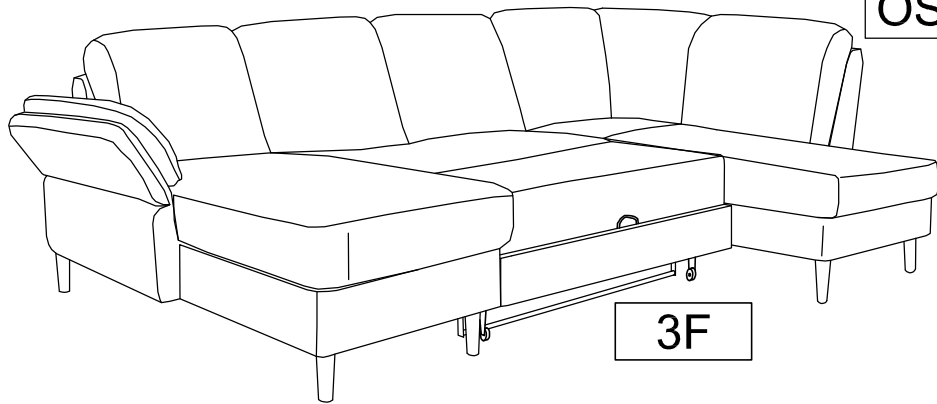
10

OSBL+3F+R+OSP



11

OSBL+3F+R+OSP



12

