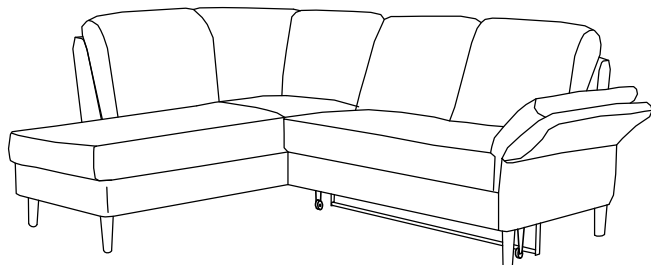
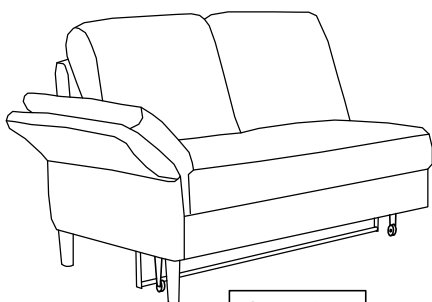
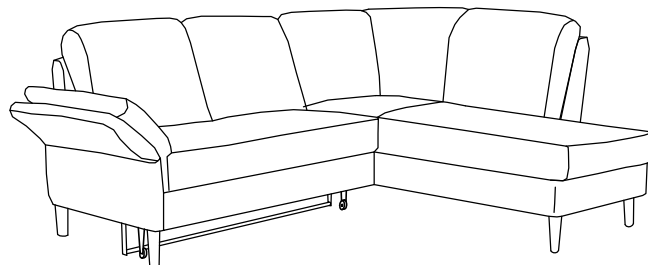


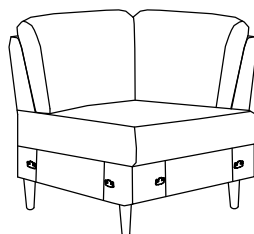
VERSION - L



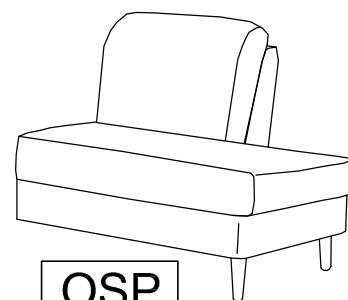
VERSION - R



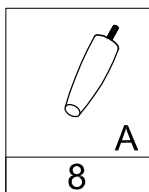
2FBL



R

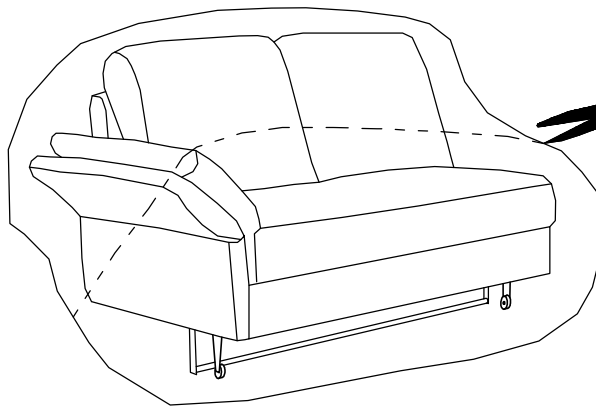


OSP



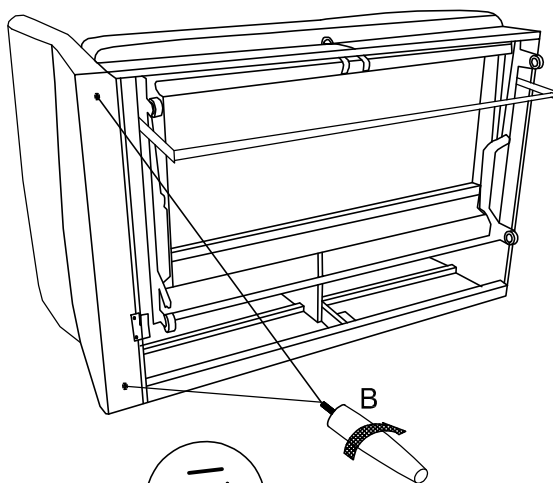
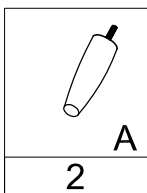
1

2FBL

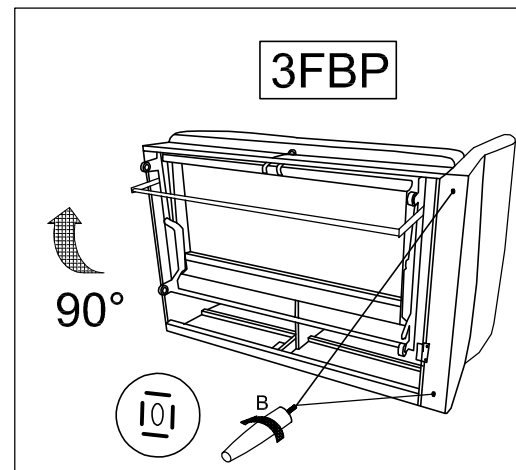
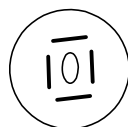


2

2FBL



90°



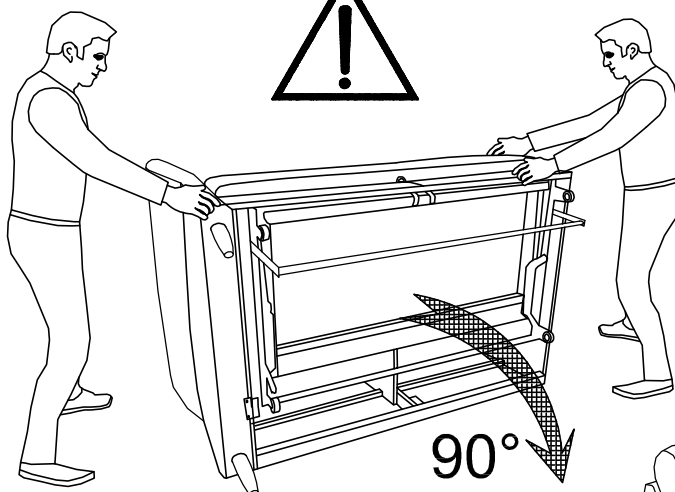
3FBP

90°

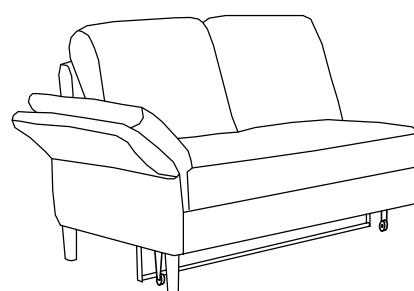


3

2FBL

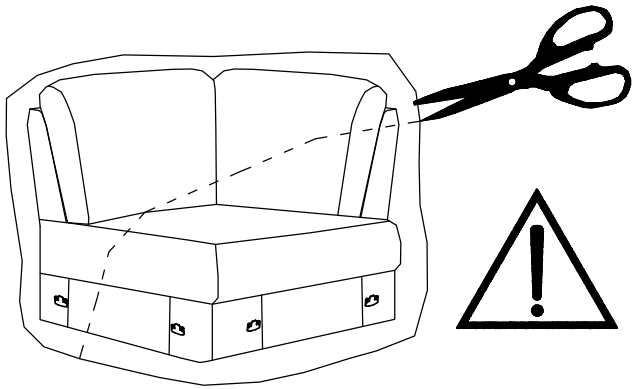


90°



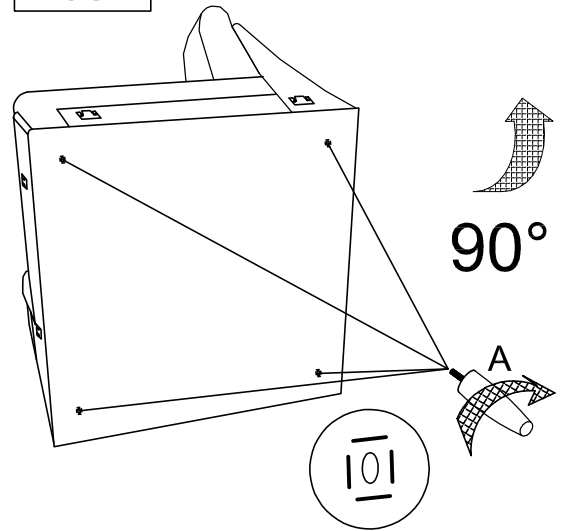
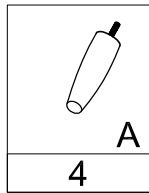
4

R



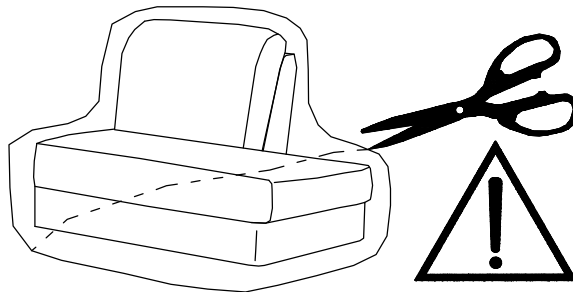
5

R



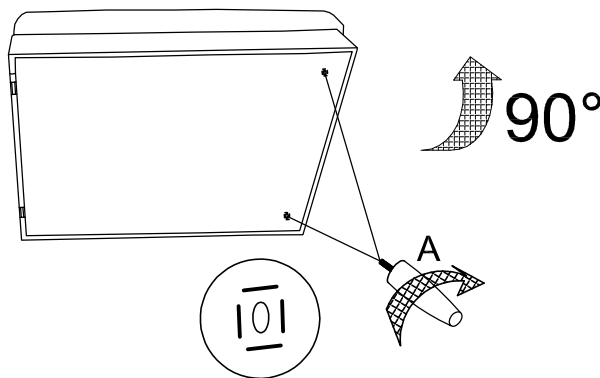
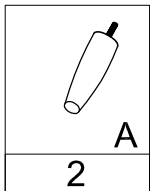
6

OSP

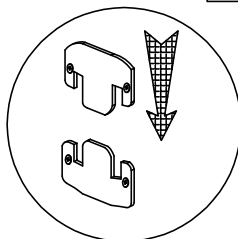
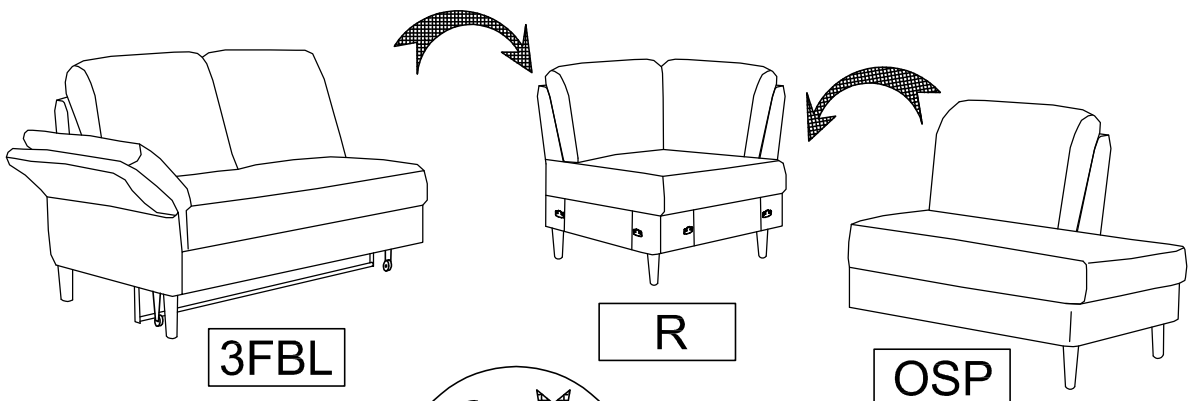


7

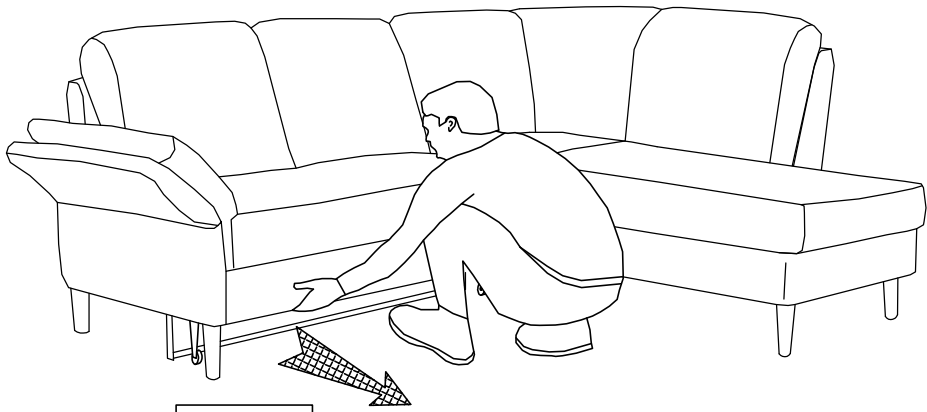
OSP



8

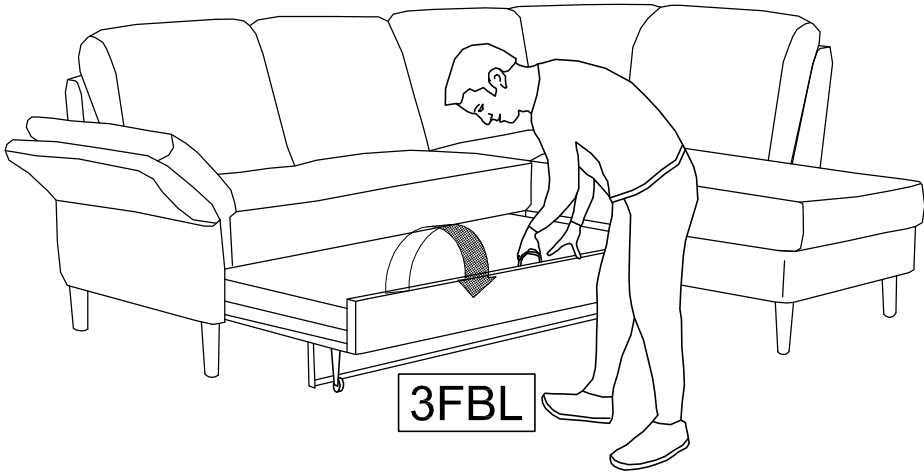


9

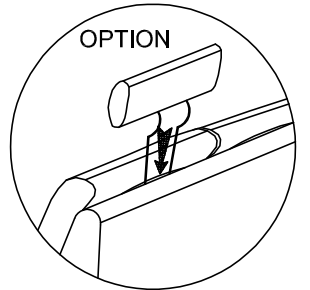


3FBL

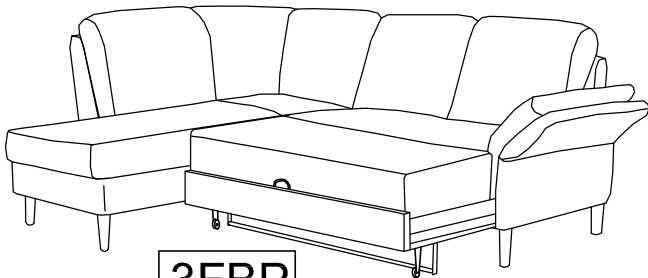
10



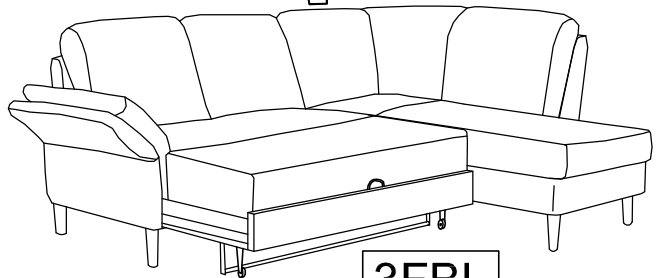
3FBL



OPTION

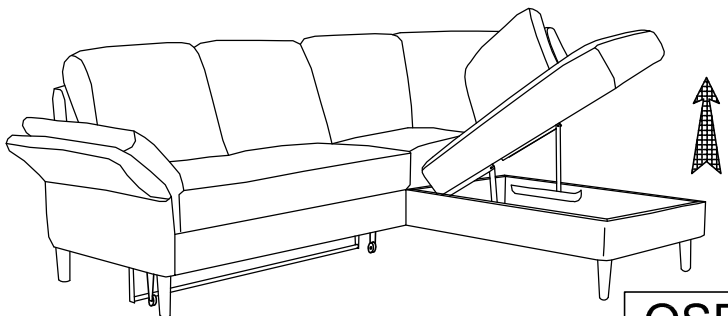


3FBP

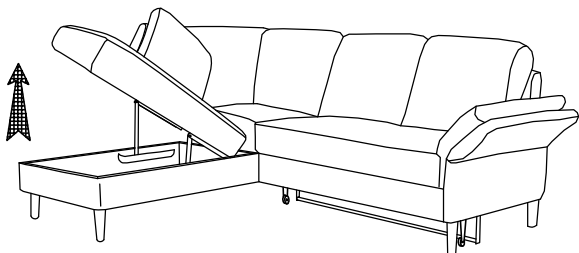


3FBL

11



OSP



OSL