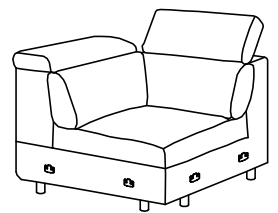
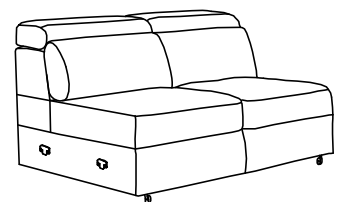


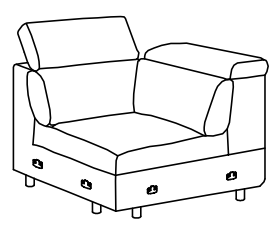
2SBL



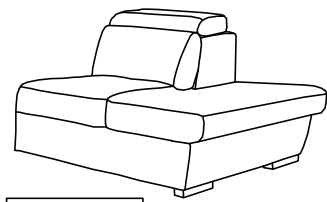
R



3F



R



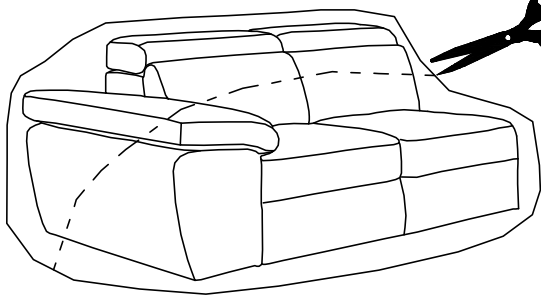
OSP

M6.0x60mm			
	A	B	C
	18	4	10


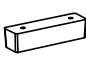


1

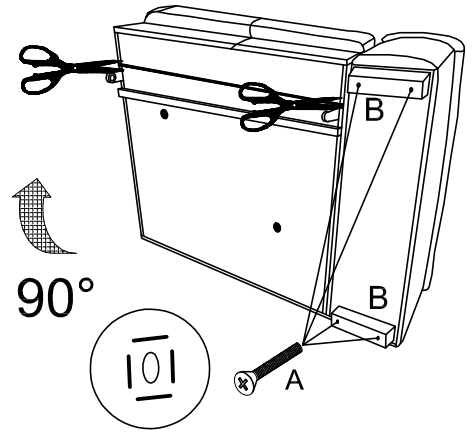
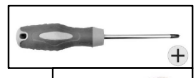
2SBL



2

M6.0x60mm	
 A	 B
4	2

2SBL

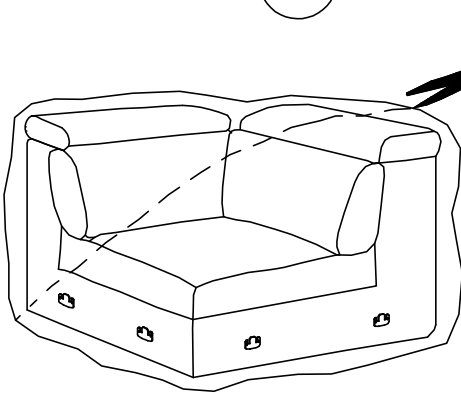


3



R



2x

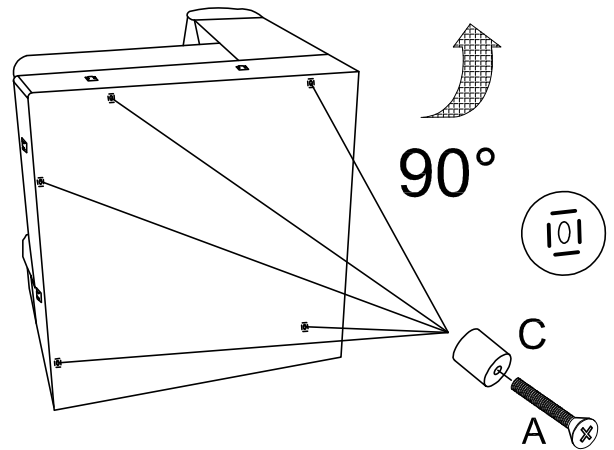


4

M6.0x60mm	
 A	 C
10	10

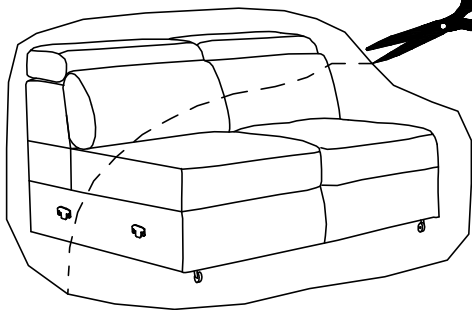
R

2x



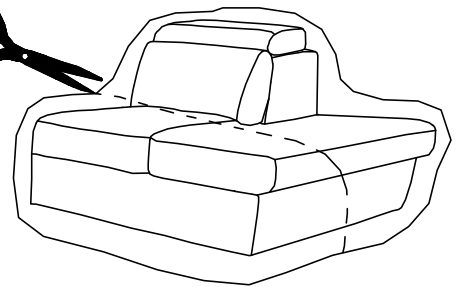
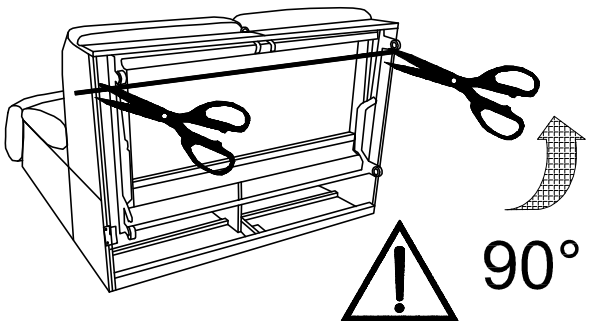
5

3F

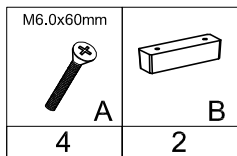


6

OSP



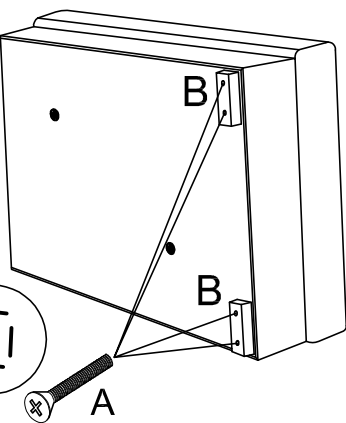
7



OSP

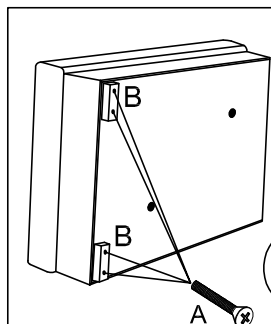


90°

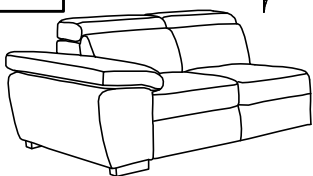


OSL

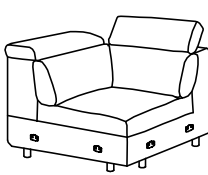
90°



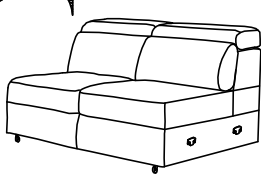
8



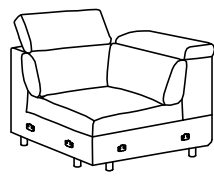
2SBL



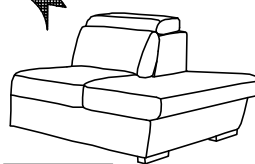
R



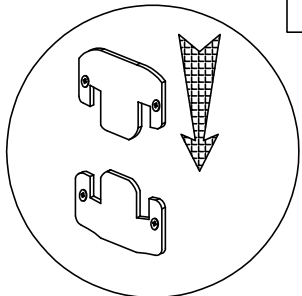
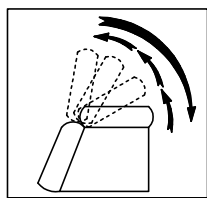
3F



R



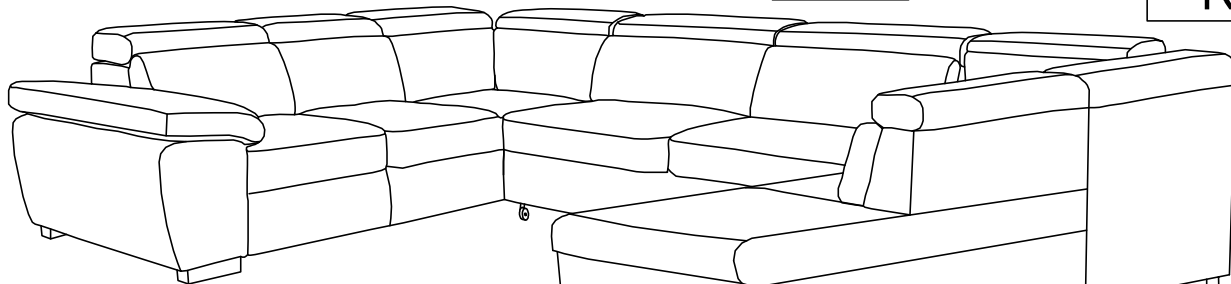
OSP



R

3F

R

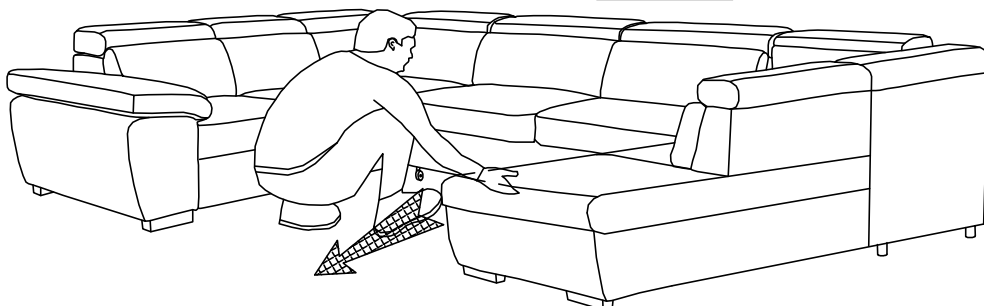


2SBL

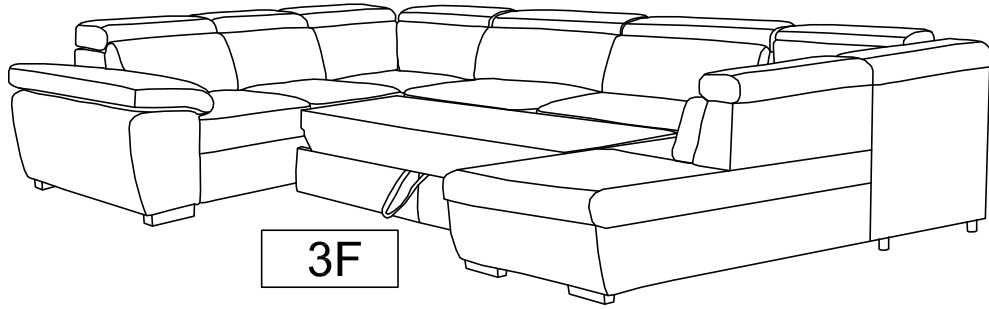
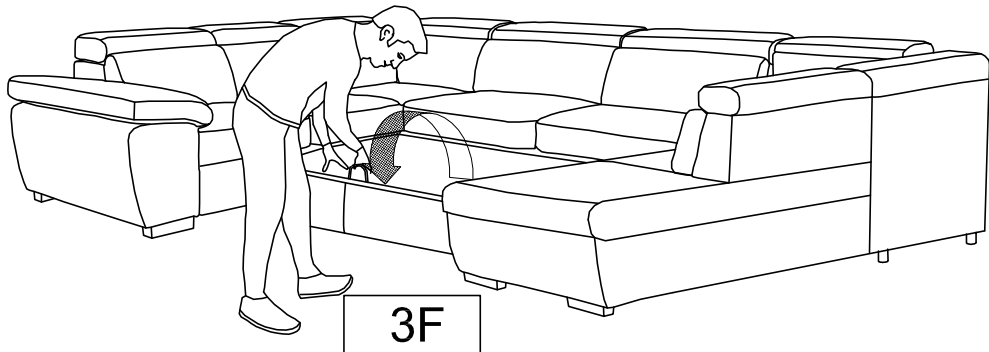
OSP

9

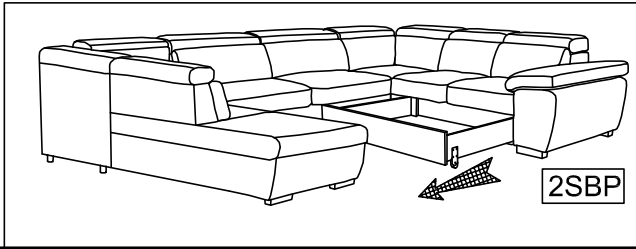
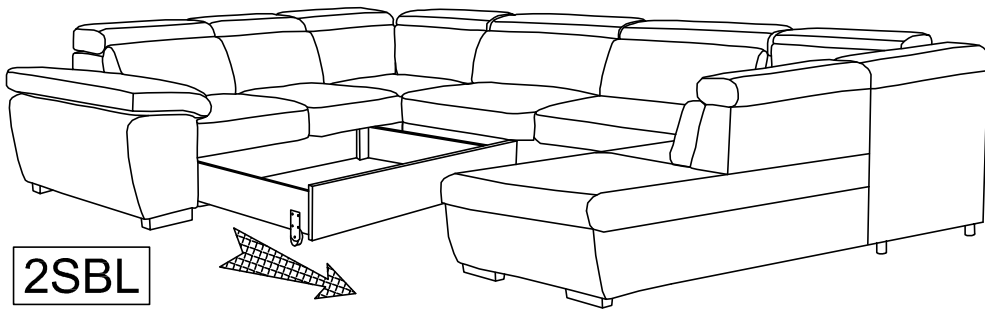
3F



10



11



12

