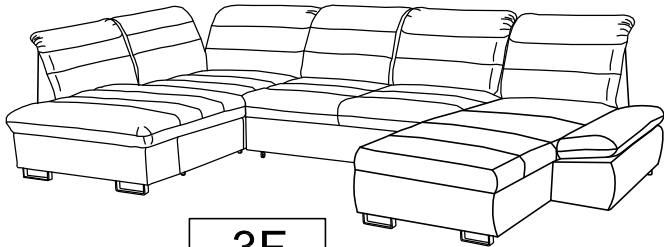


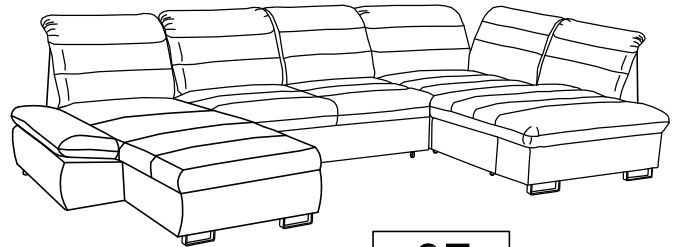
VERSION



3F

OSL

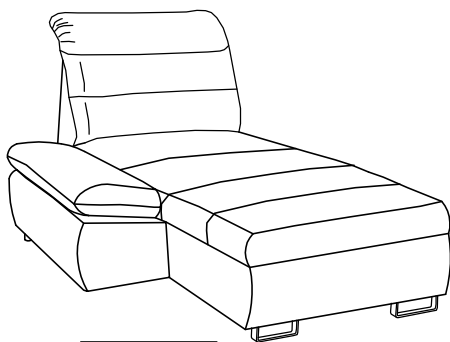
OSBP



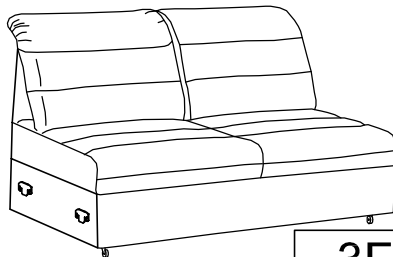
3F

OSBL

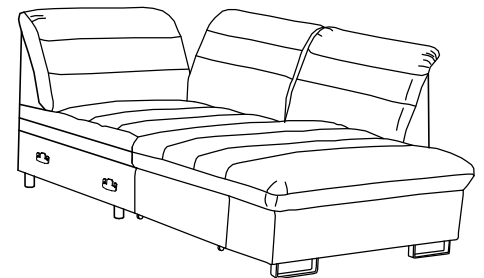
OSP







OSBL



3F

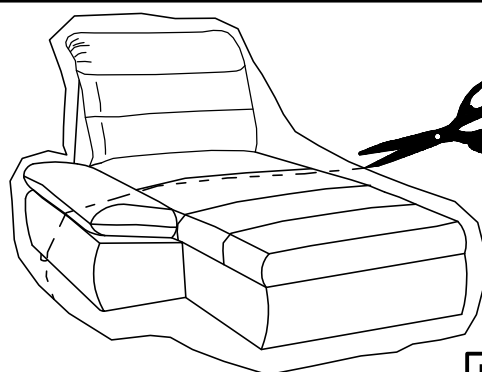


OSP

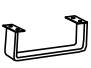

	M6.0x40mm 		M6.0x60mm 
A	B	C	D
4	16	7	7

1

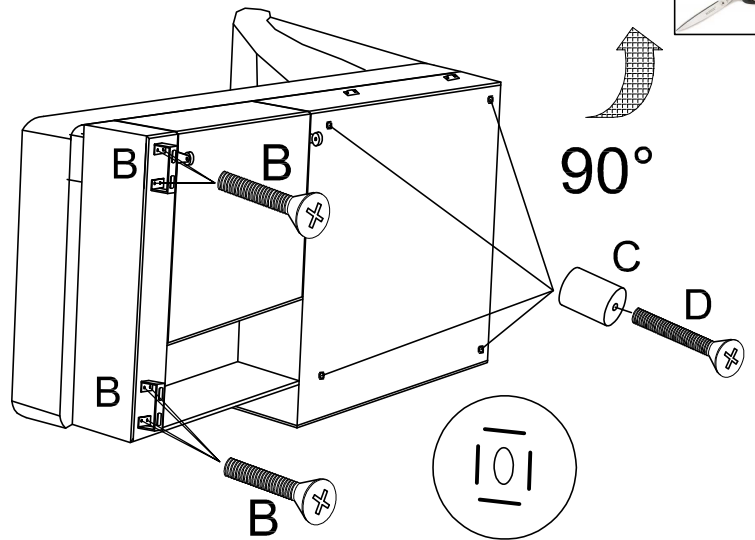
OSBL



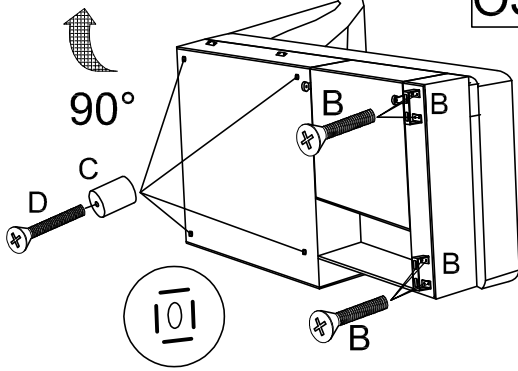
2

	M6.0x40mm		M6.0x60mm
A		B	D
4	8	4	4

OSBL

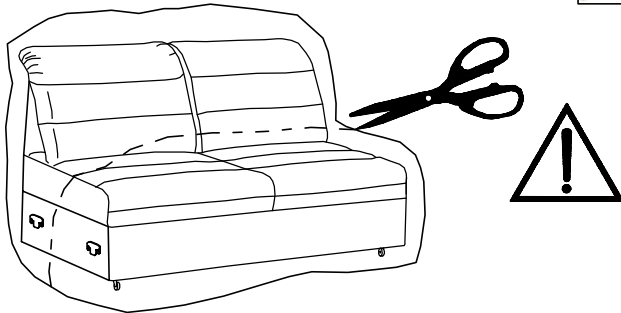


OSBP



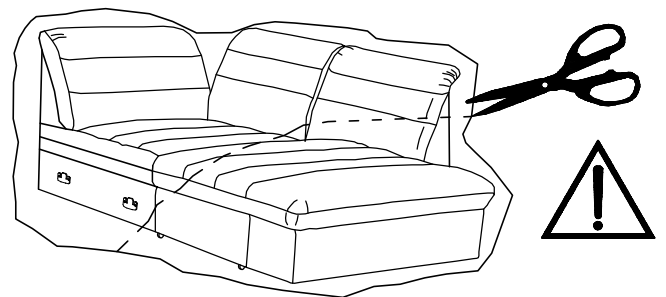
3

3F

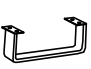



4

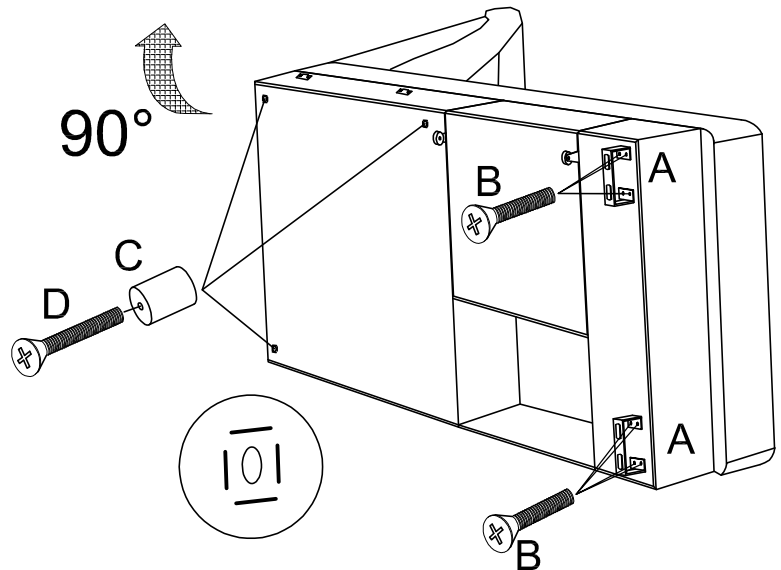
OSP



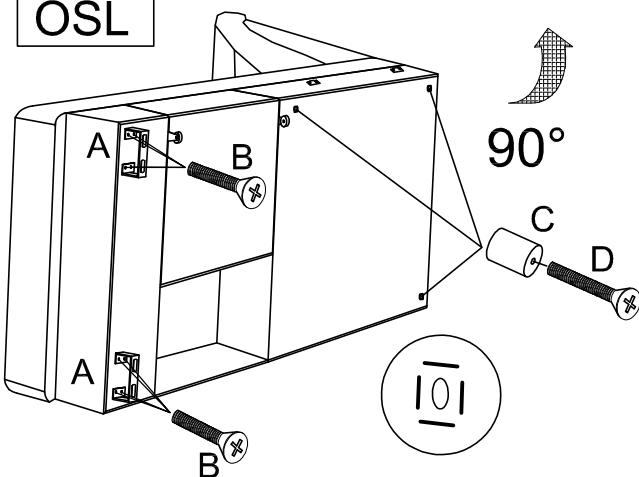
5

	M6.0x40mm		M6.0x60mm
A		B	D
2	8	3	3

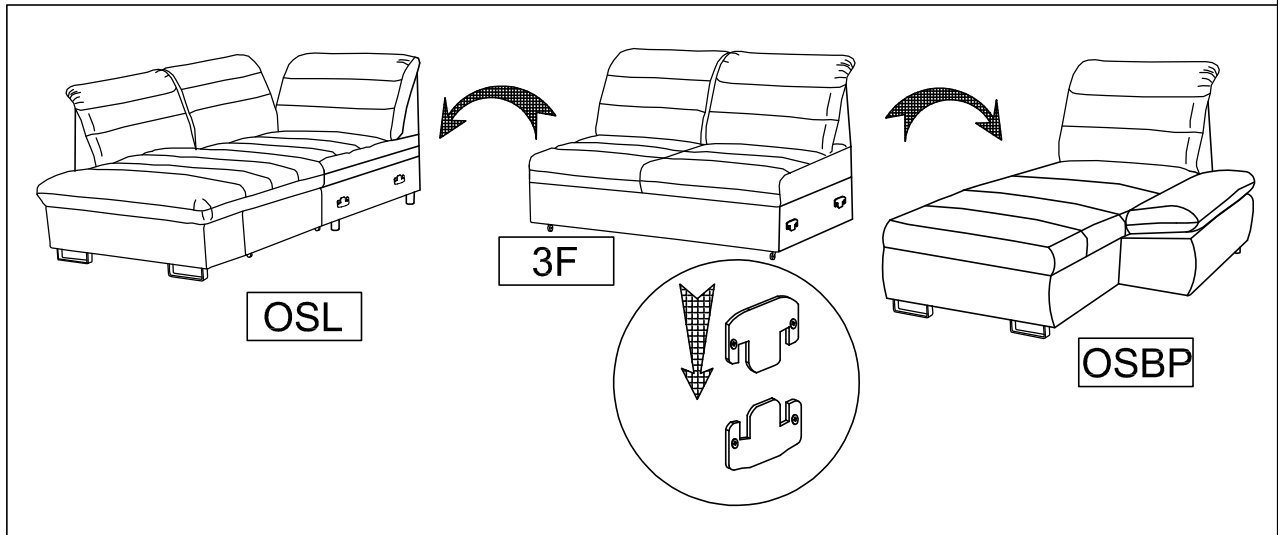
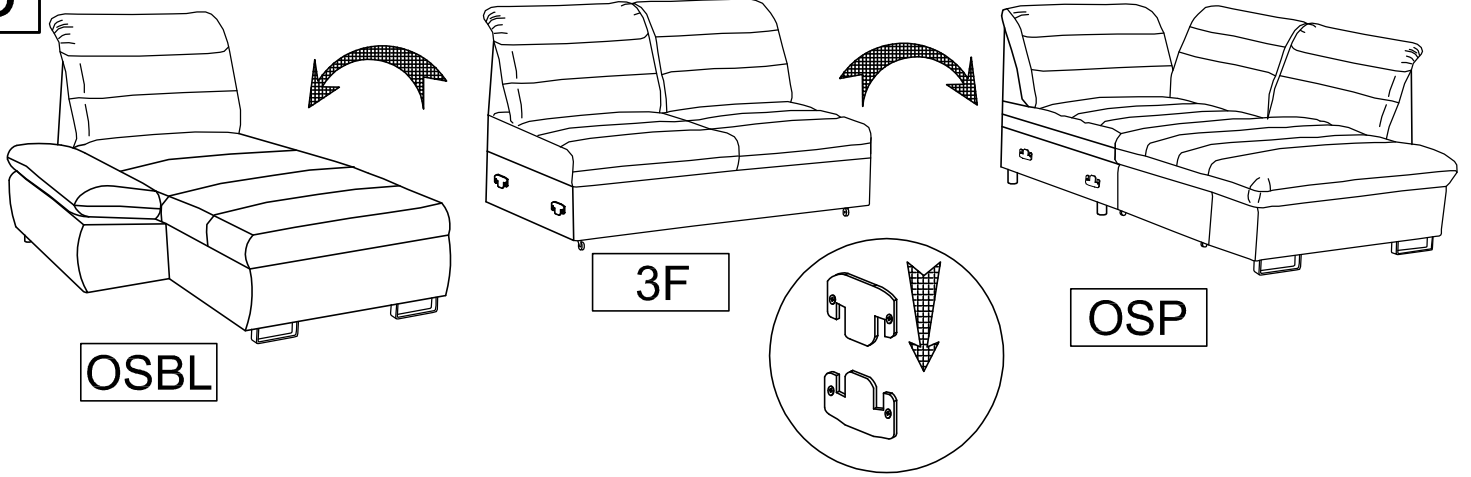
OSP



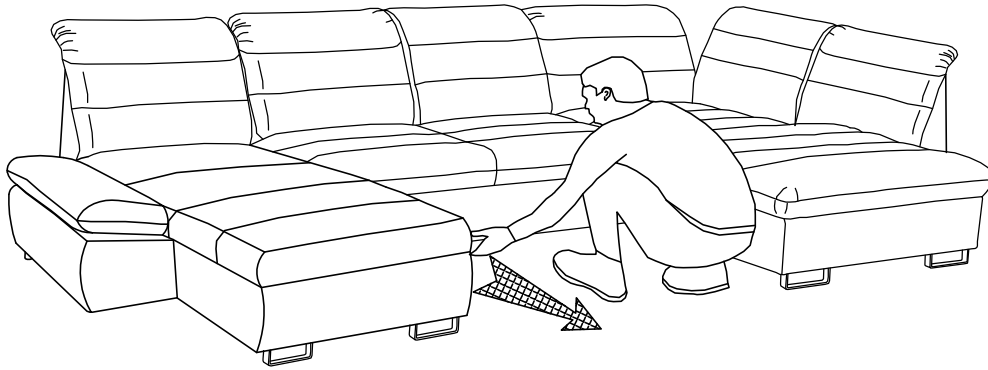
OSL



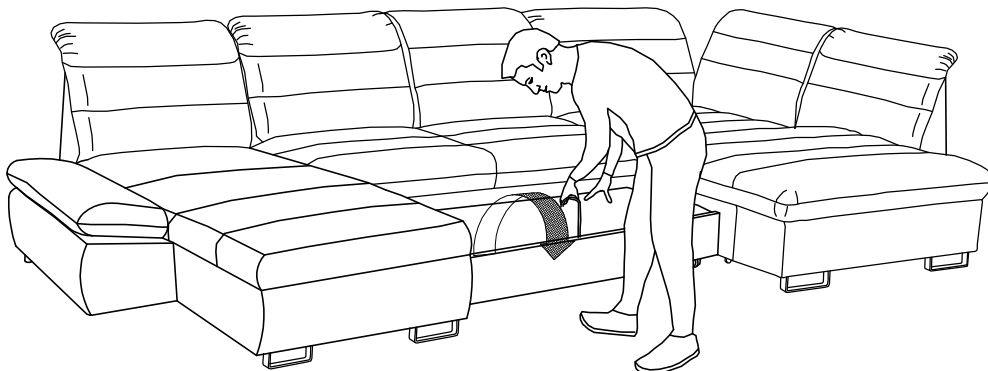
6



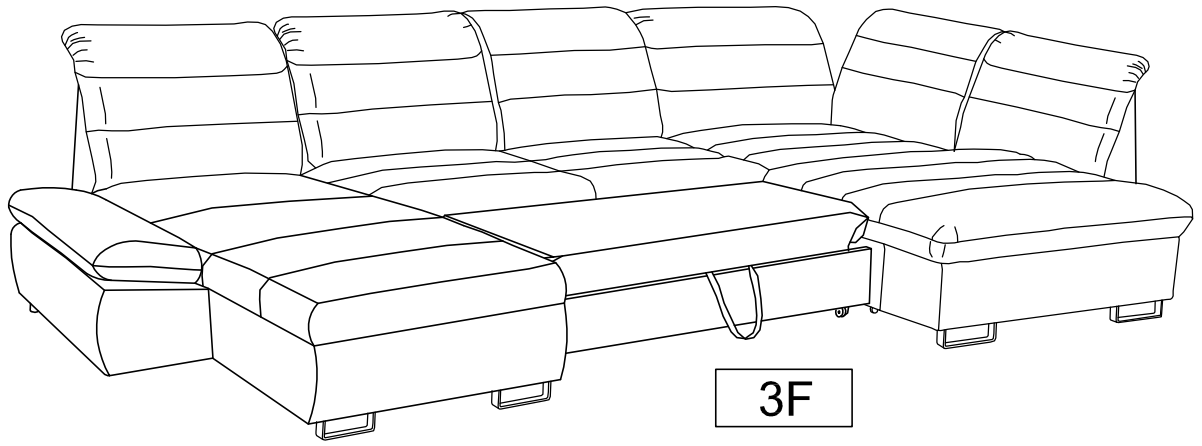
7



8

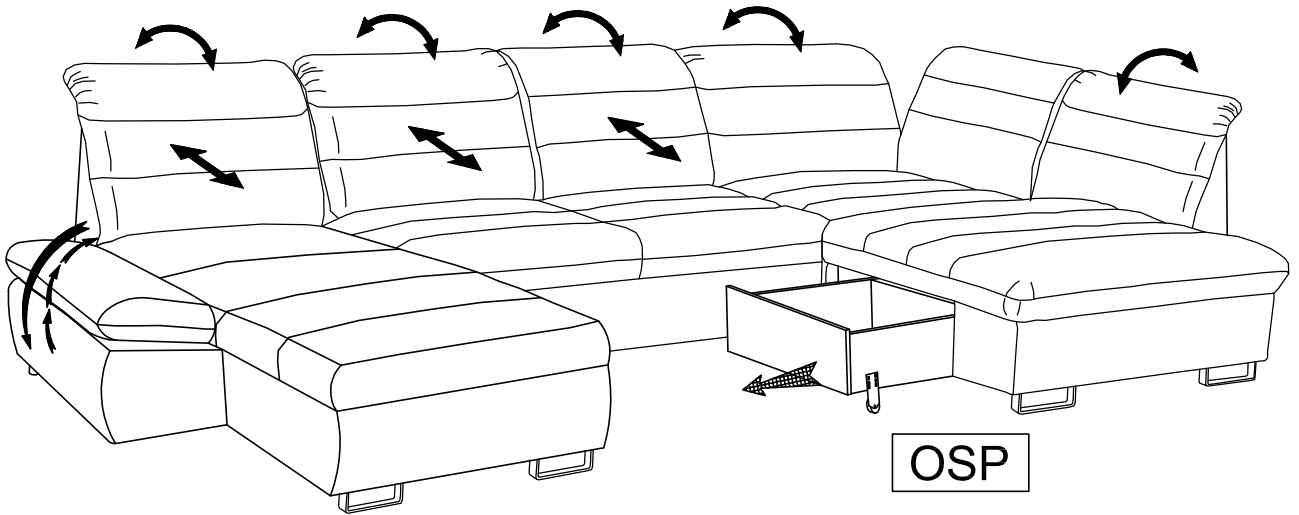
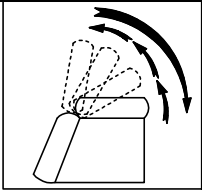


9

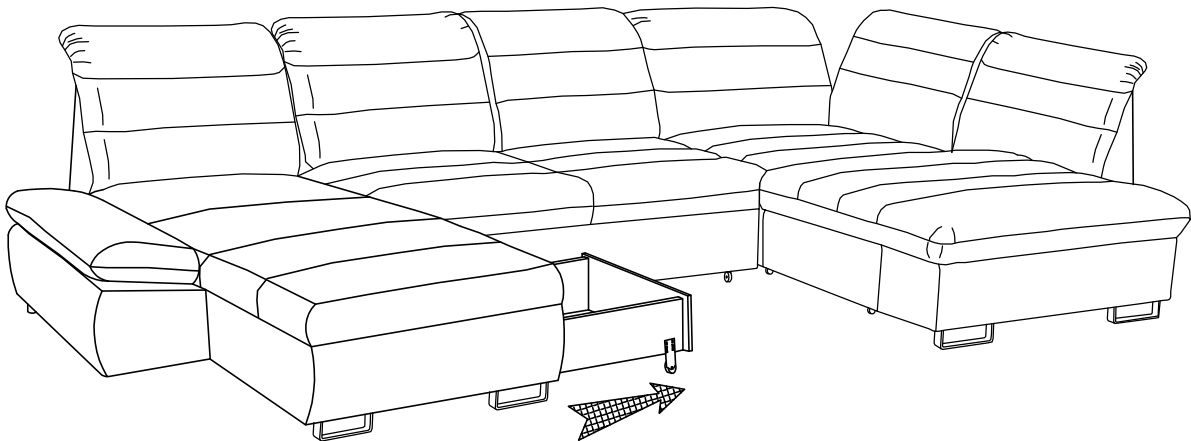


3F

10



OSP



OSBL