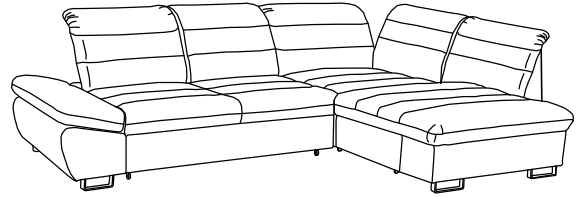
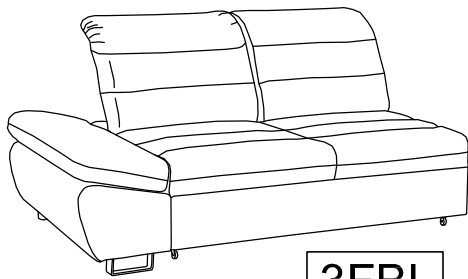
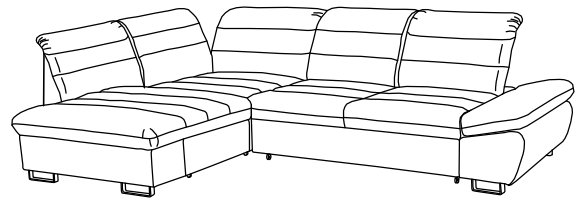


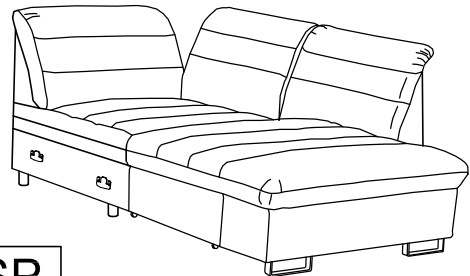
VERSION - R



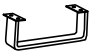



VERSION - L



3FBL

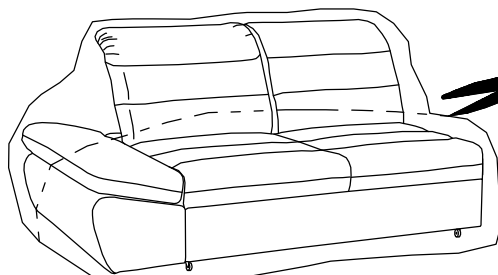


OSP

	M6.0x40mm 		M6.0x60mm 
A 3	B 12	C 5	D 5

1





3FBL

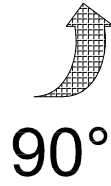
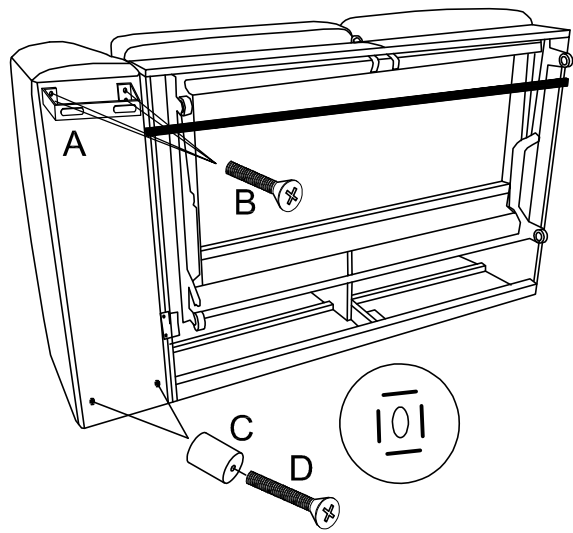


2

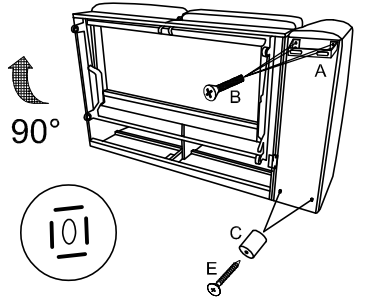
3FBL



	M6.0x40mm 
A	B
1	4
	M6.0x60mm 
C	D
2	2

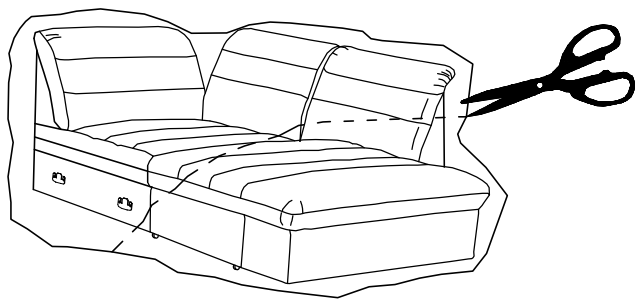


3FBP



3





OSP

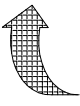
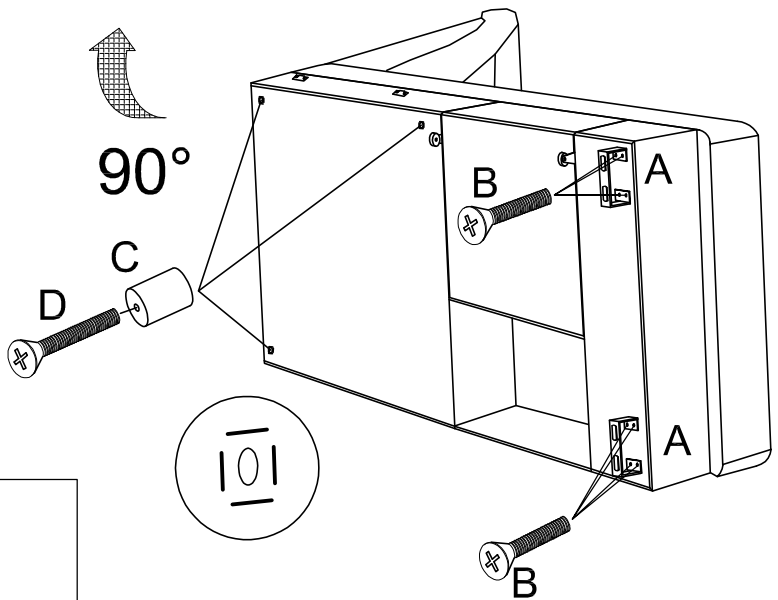


4

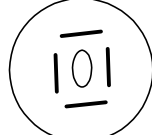
OSP



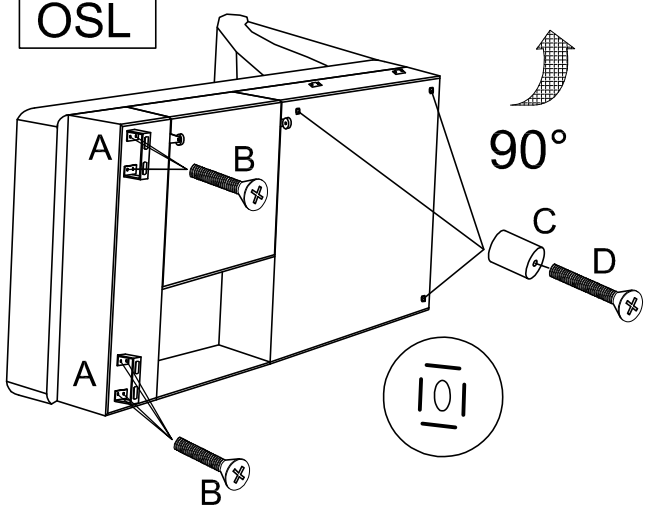
	M6.0x40mm 
A	B
2	4
	M6.0x60mm 
C	D
3	3



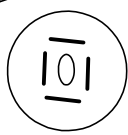
90°



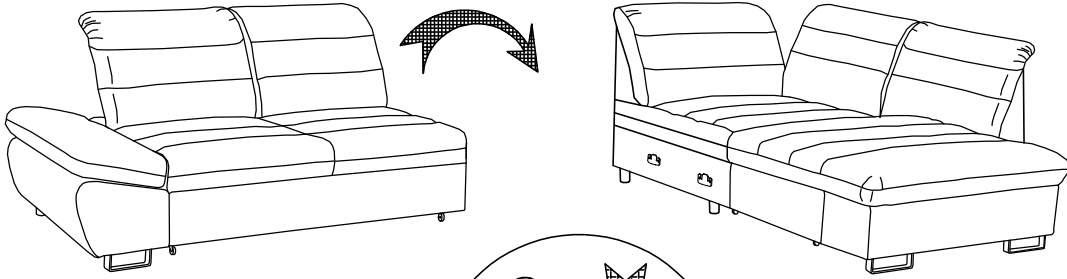
OSL



90°

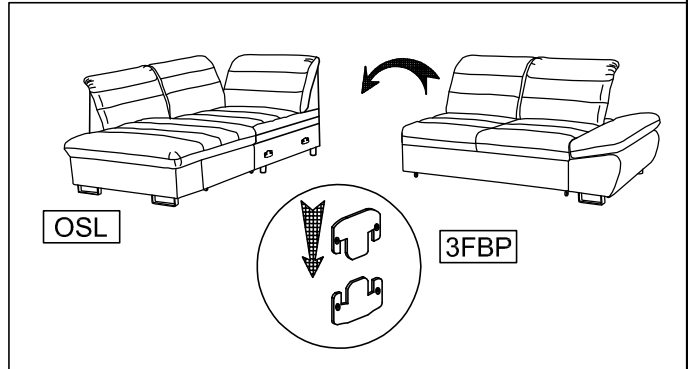
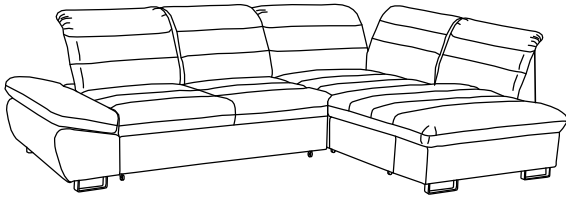
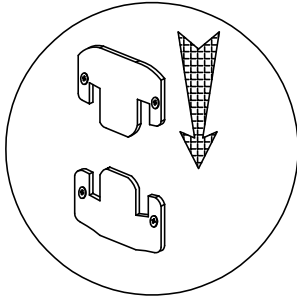


5



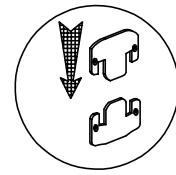
3FBL

OSP

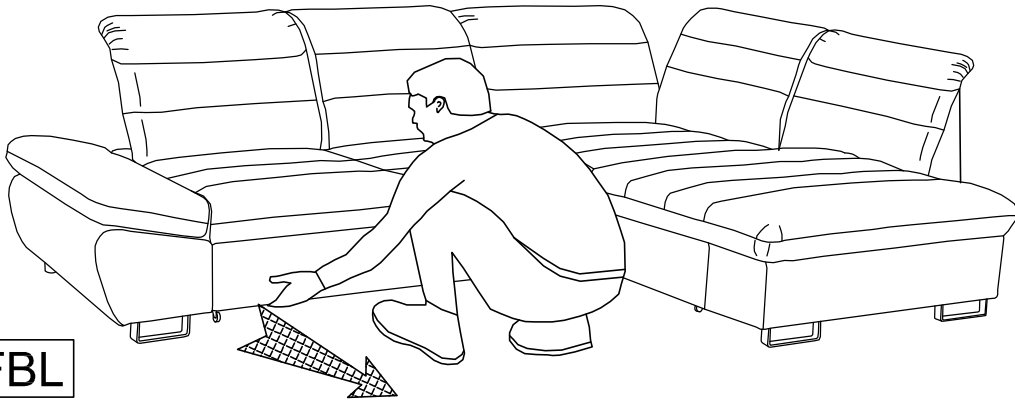


OSL

3FBL

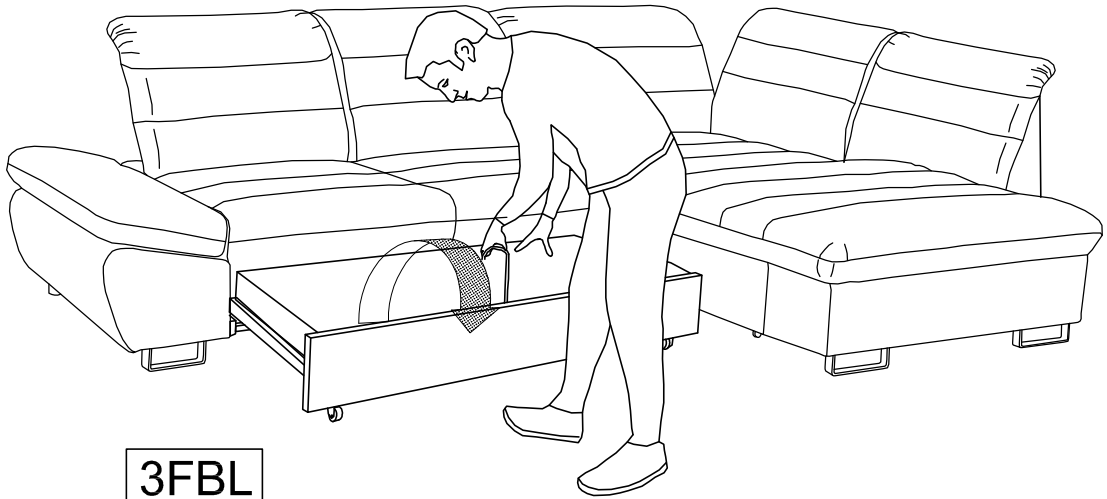


6



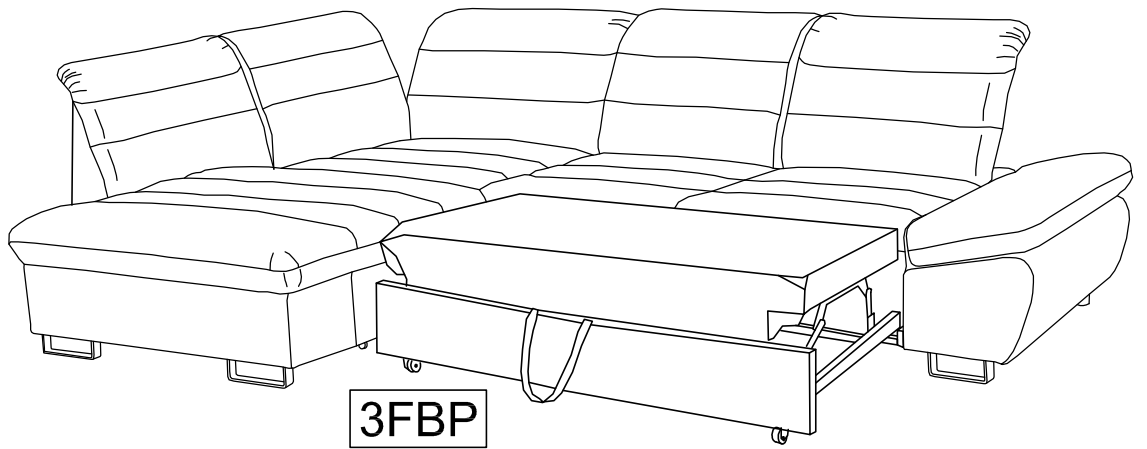
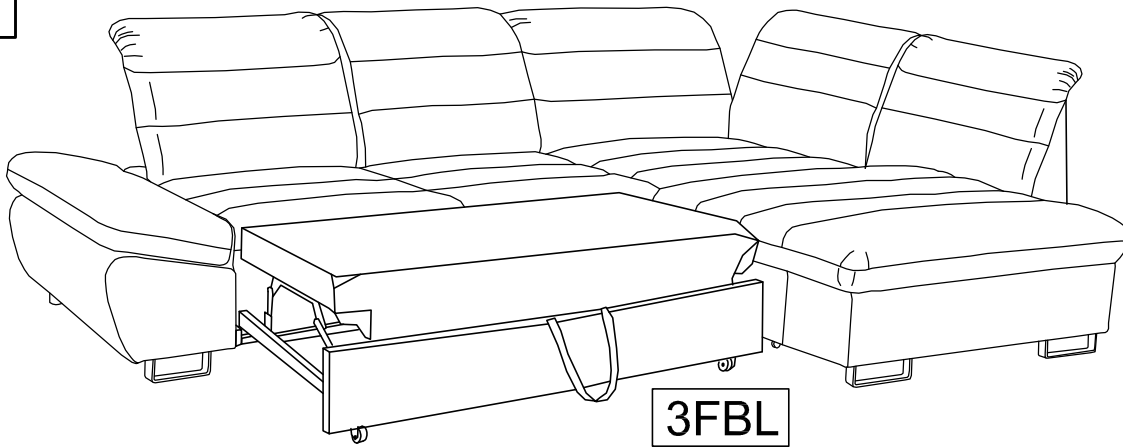
3FBL

7

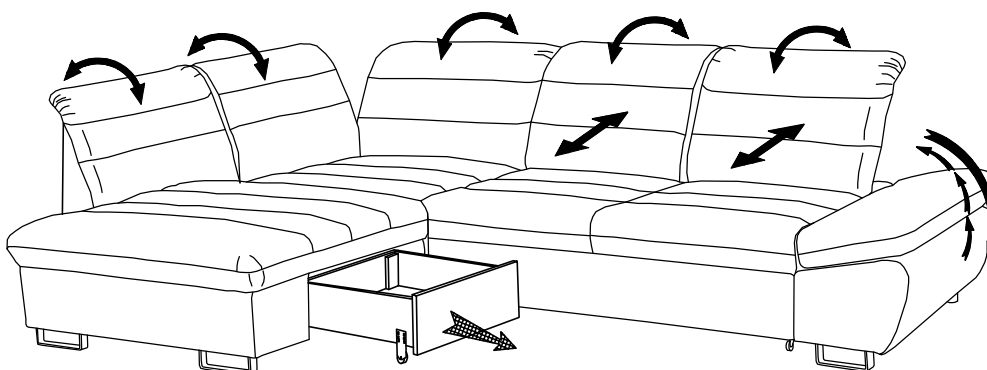
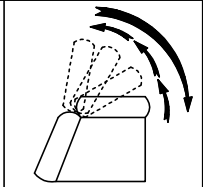
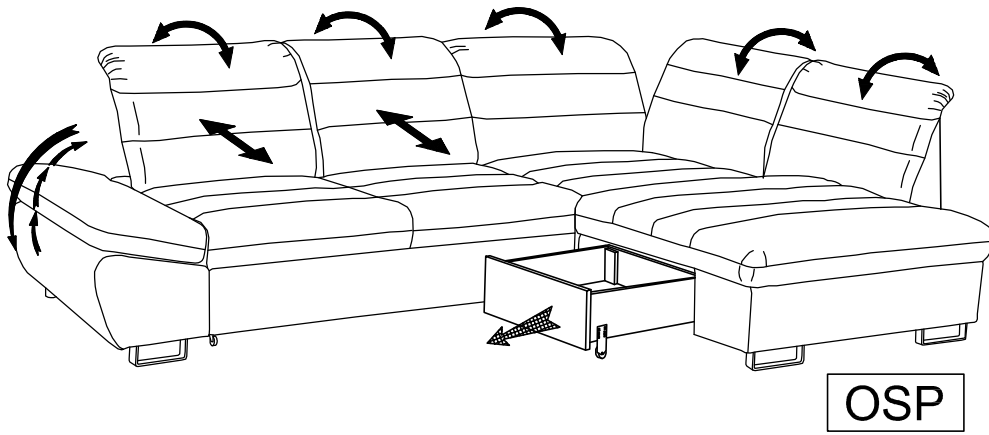


3FBL

8



9



OSL