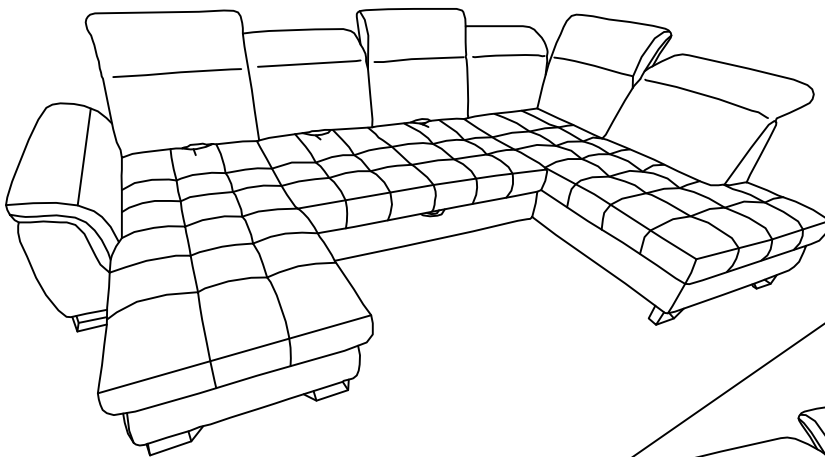
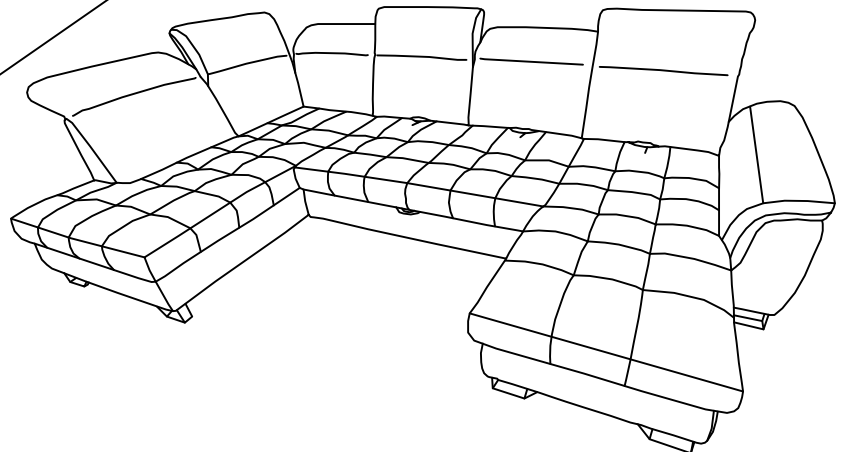


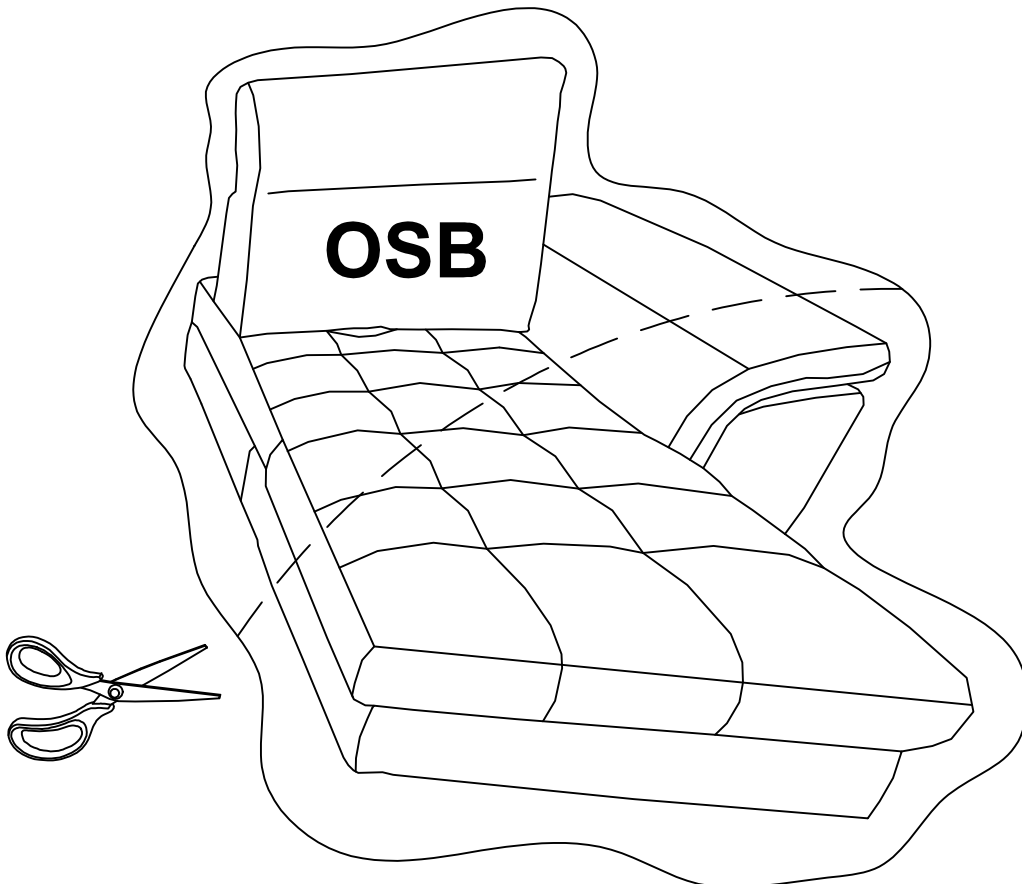
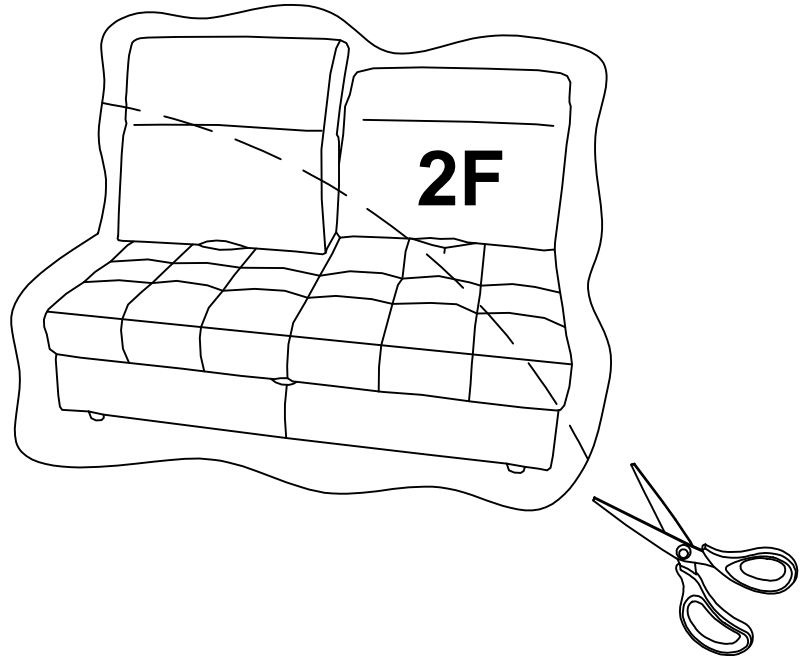
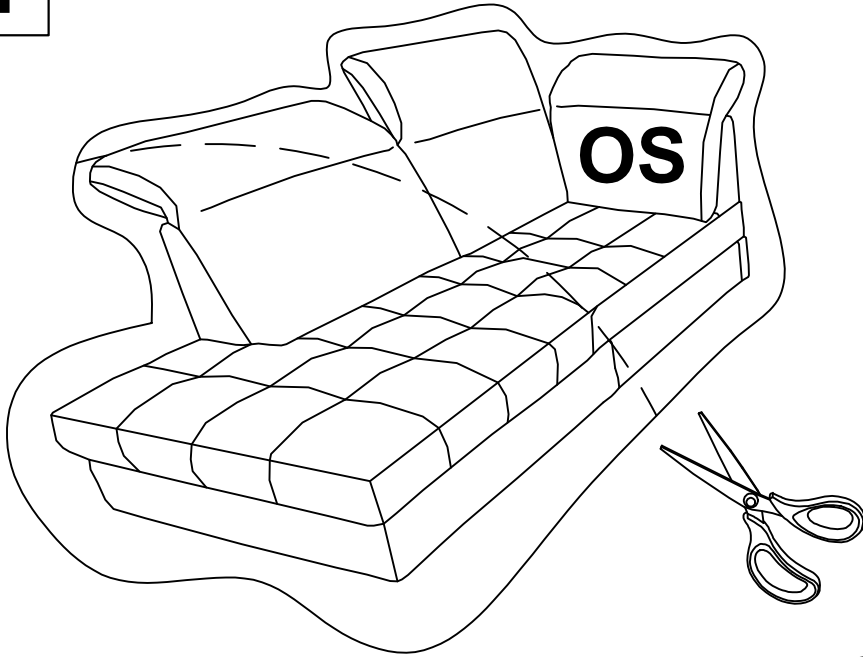
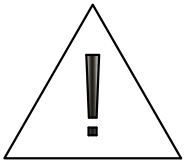
**ver. R**



**ver. L**

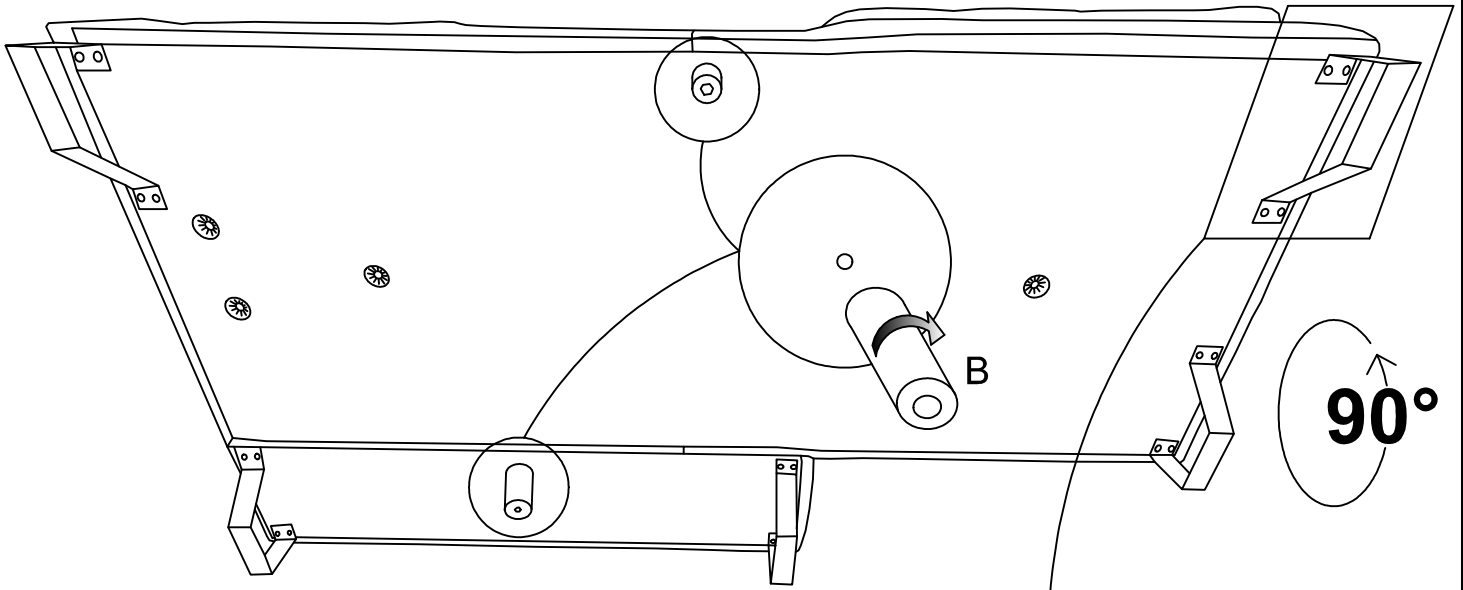


1

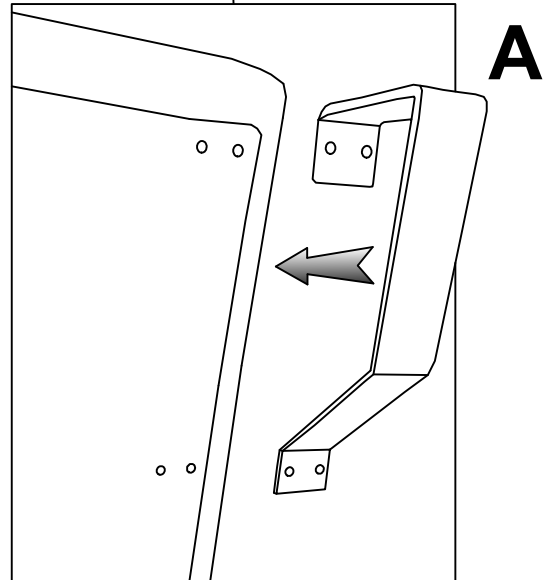
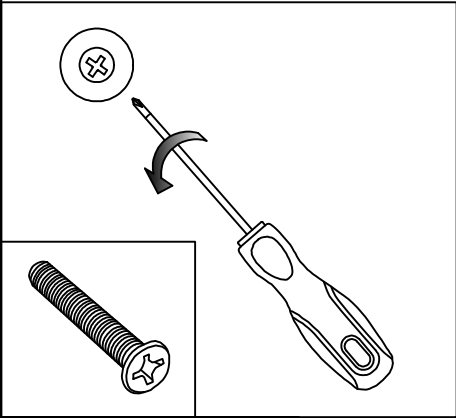


2

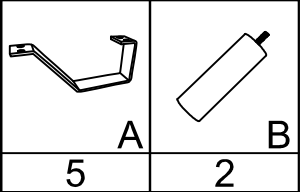
OSB



90°

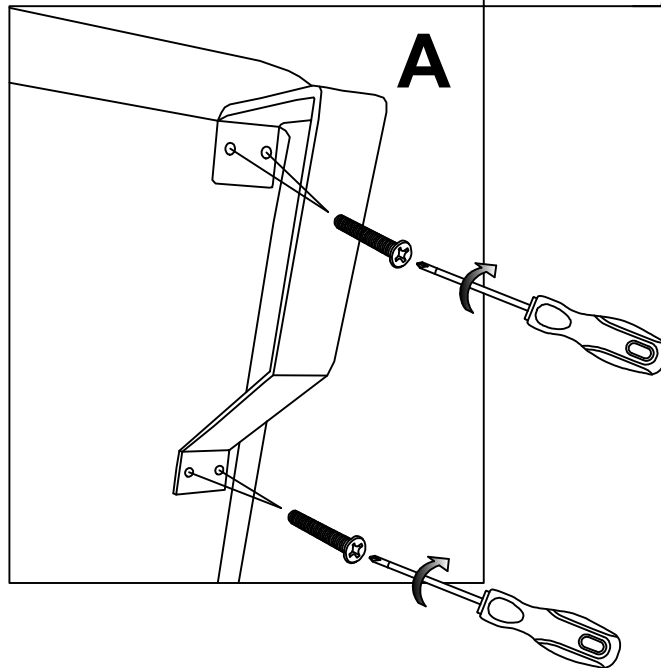


A



5

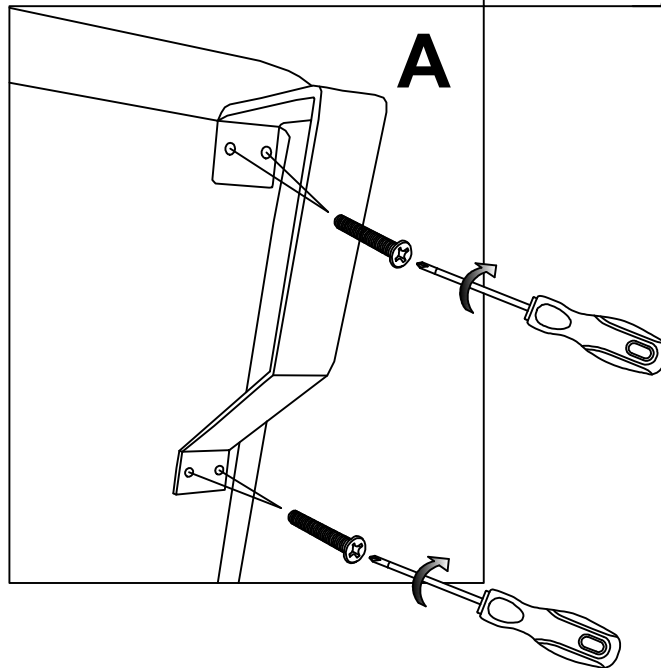
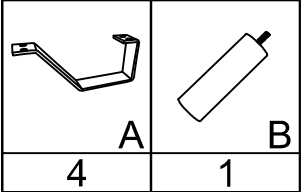
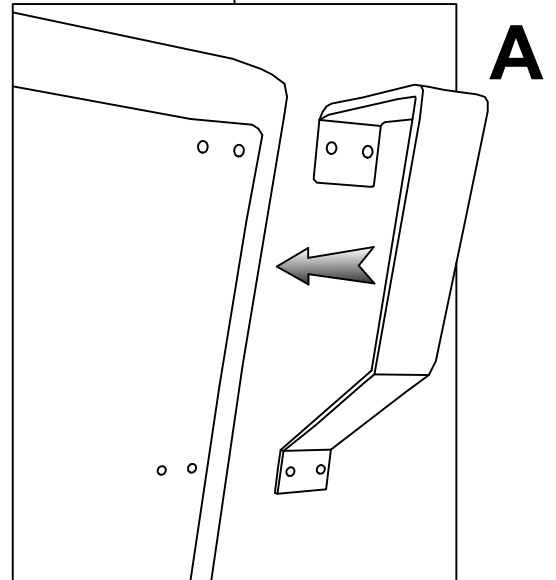
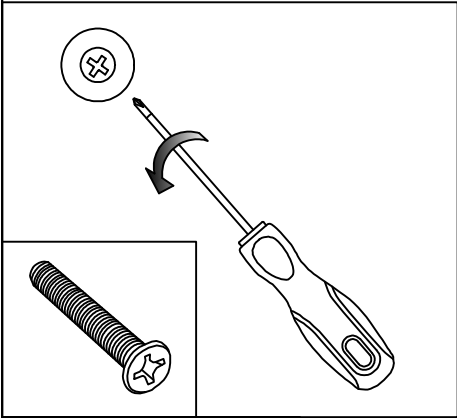
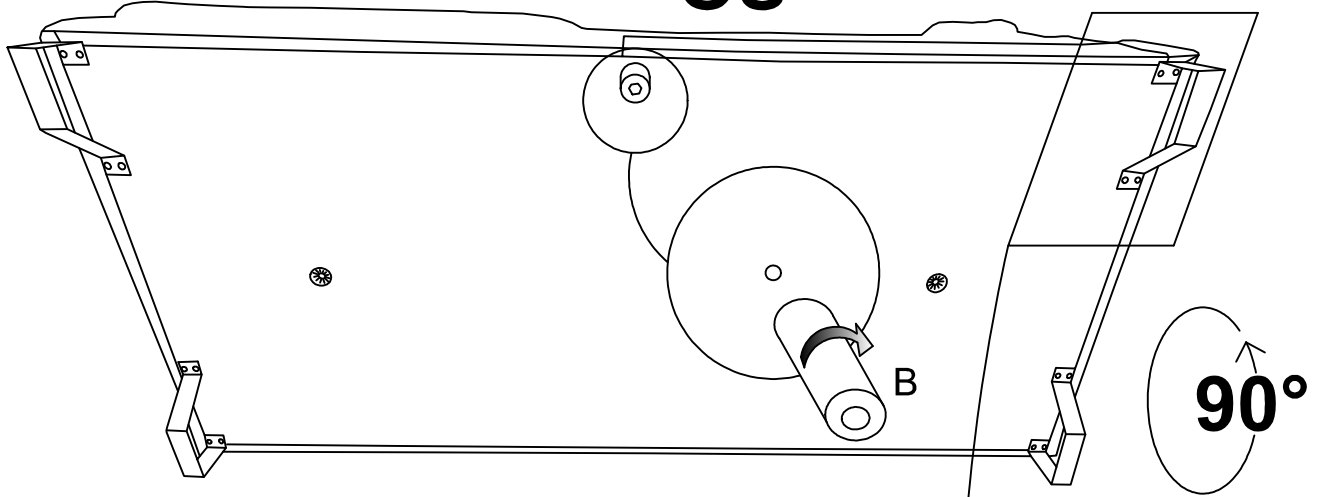
2



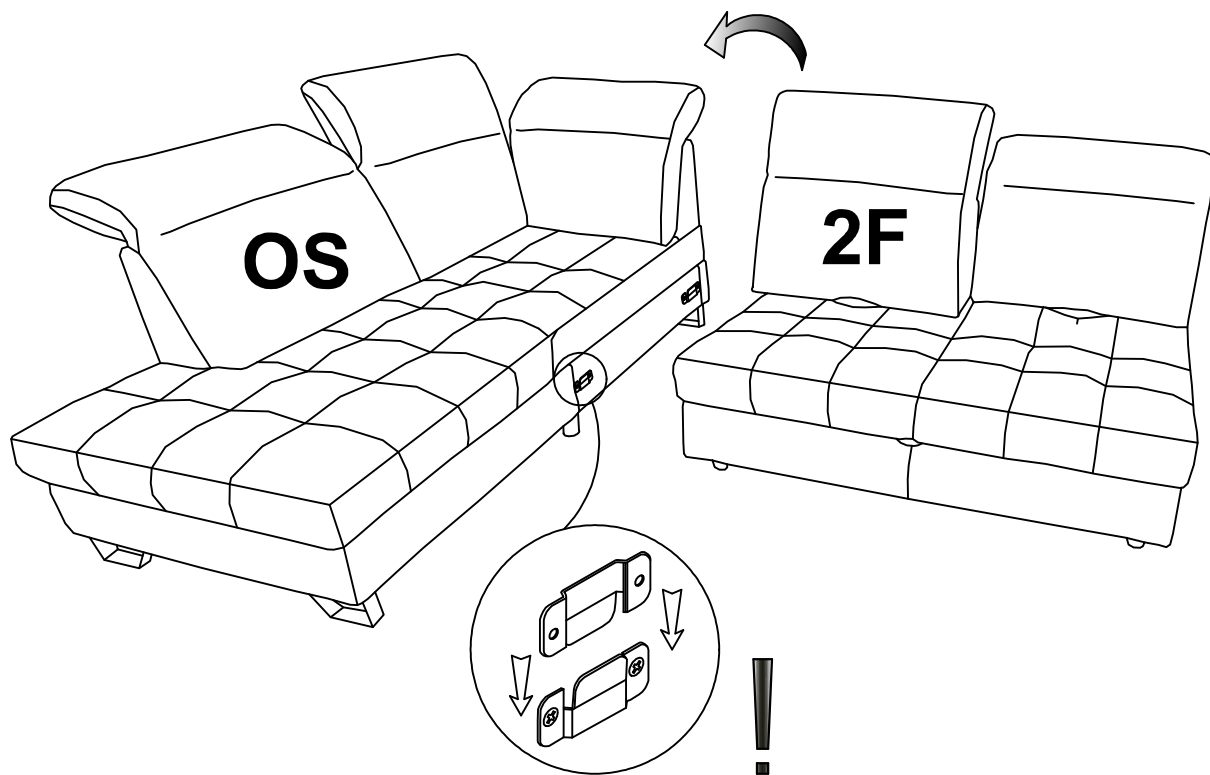
A

3

OS



4



5

